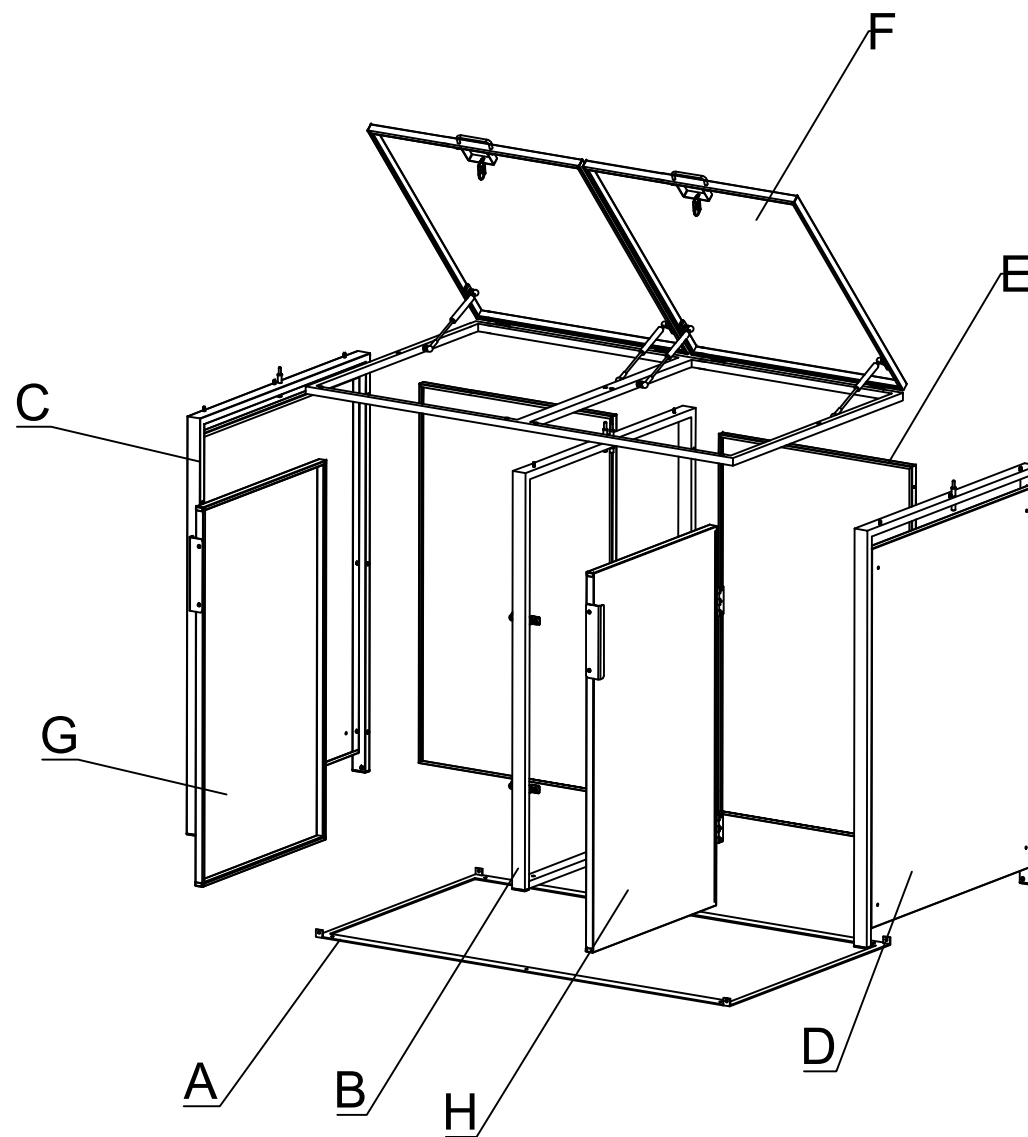
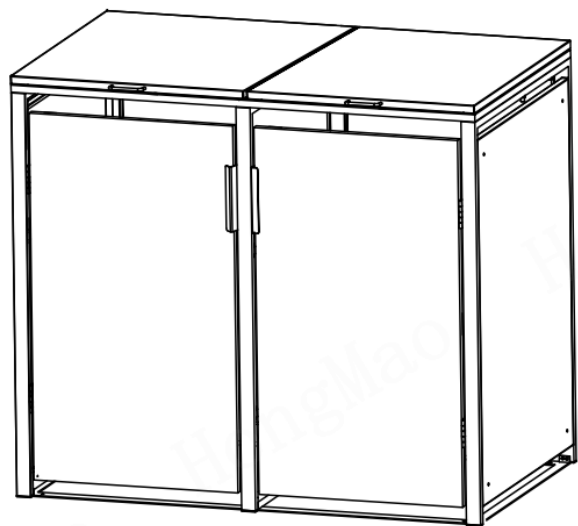
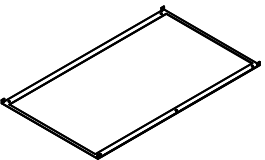
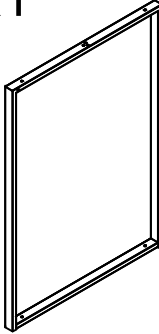
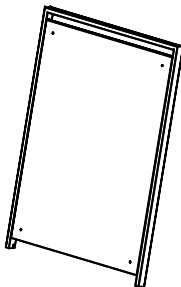
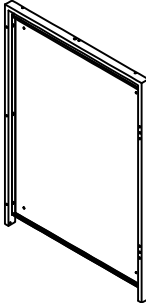
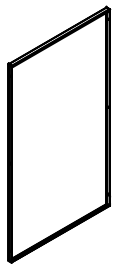
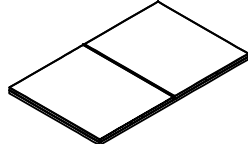
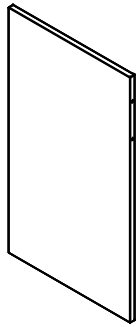
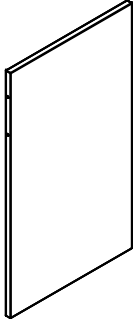
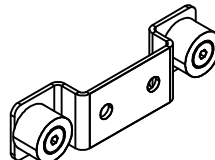
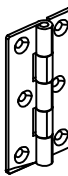
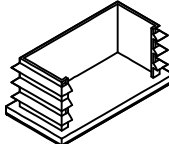
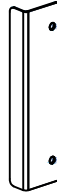
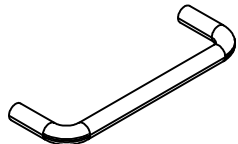
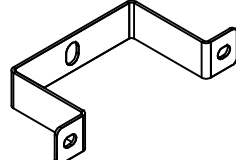
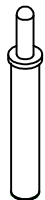



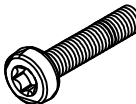
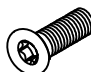
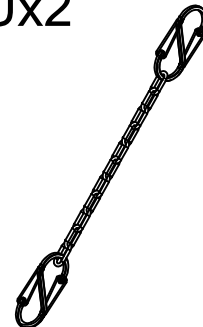
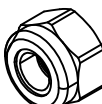
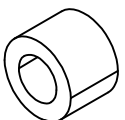
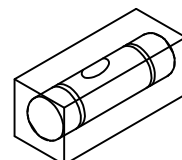
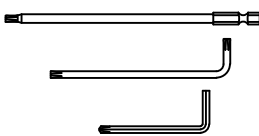
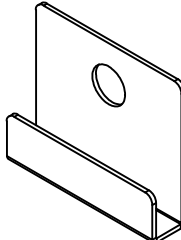



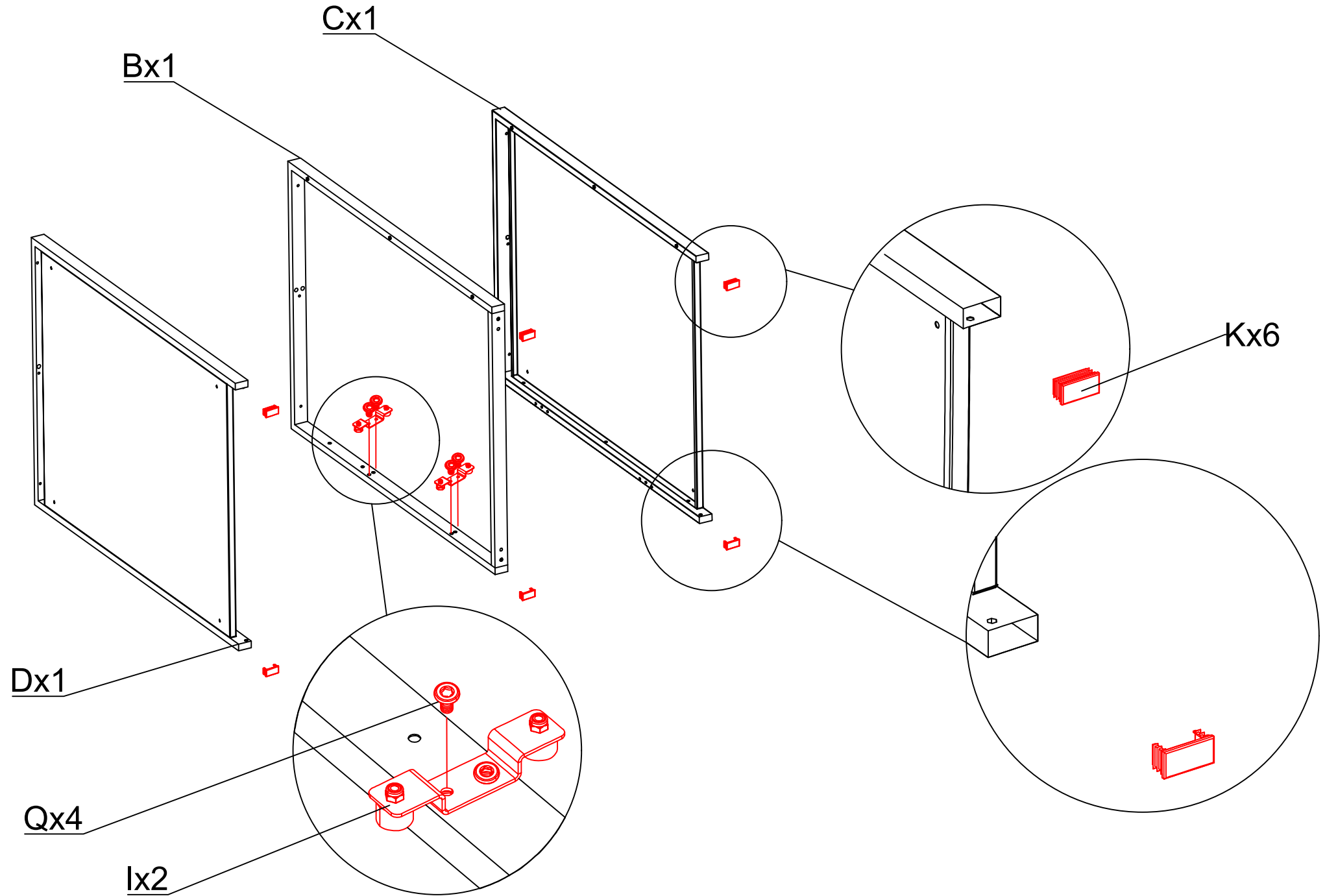
# UMBAU MEISTER



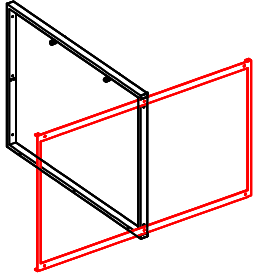
30min

Ax1 	Bx1 	Cx1 	Dx1 	Ex2 	Fx1 	Gx1 	
Hx1 	Ix2 	Jx4 	Kx6 	Lx2 	Mx2 	Nx2 	
Ox4 	Px6 	Qx20  M4*10mm	Rx8  M4*20mm	Sx9  M4*30mm	Tx30  M4*12mm	Ux2 	Vx4 
Wx4 	Xx1 	Yx1 	Zx2 	Y1x4 			

# STEP1



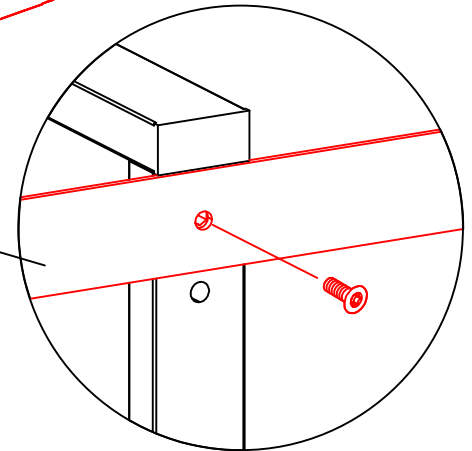
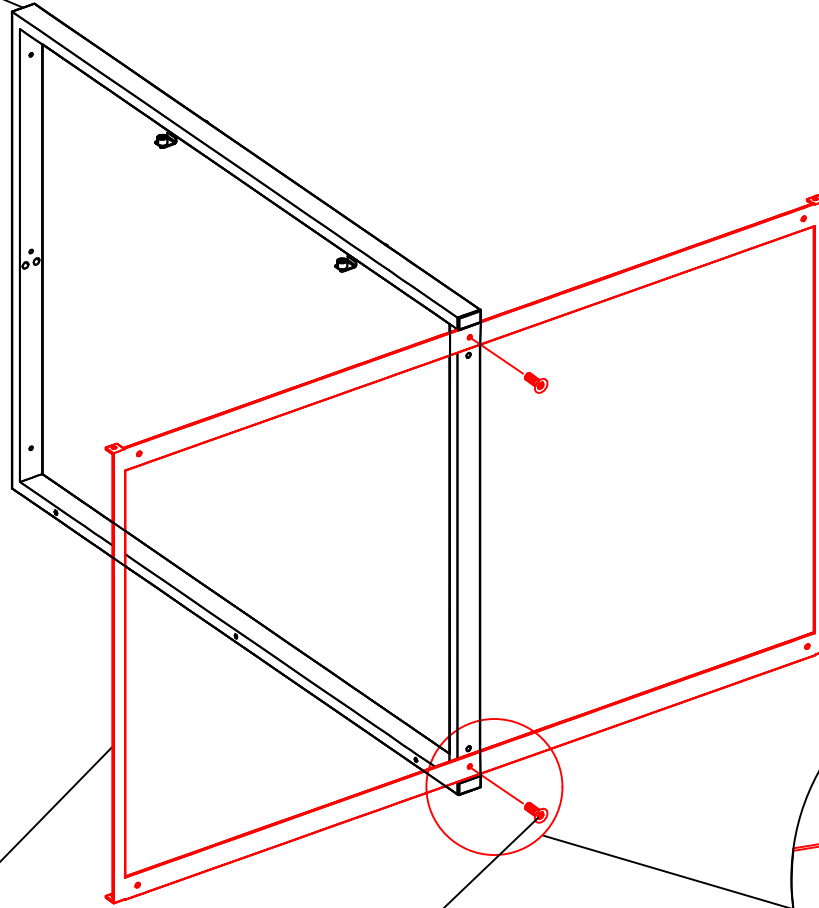
# STEP 2



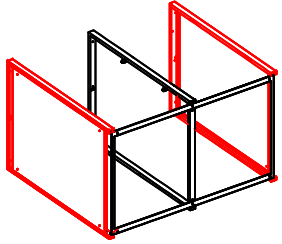
Bx1

Ax1

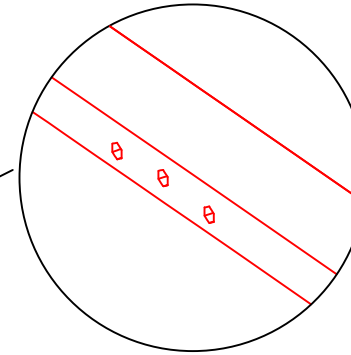
Tx2



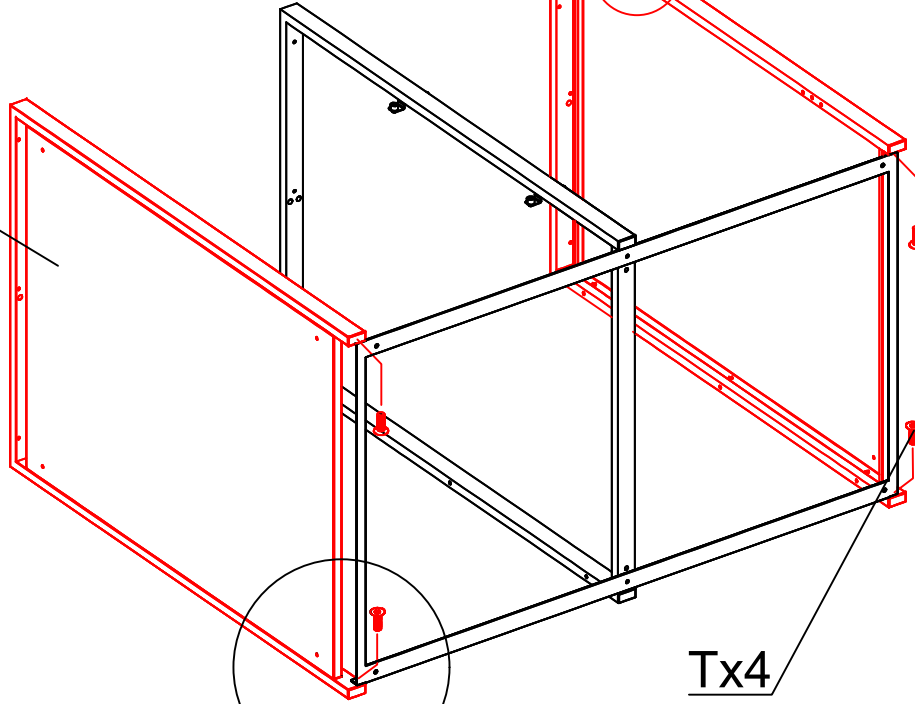
# STEP3



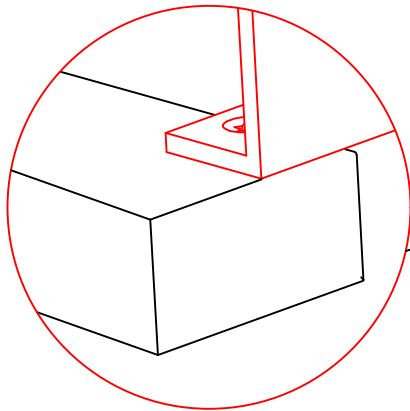
Dx1



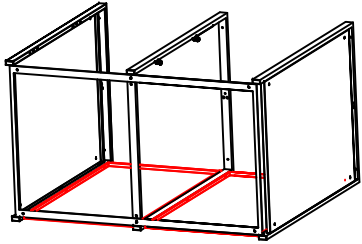
Cx1



Tx4

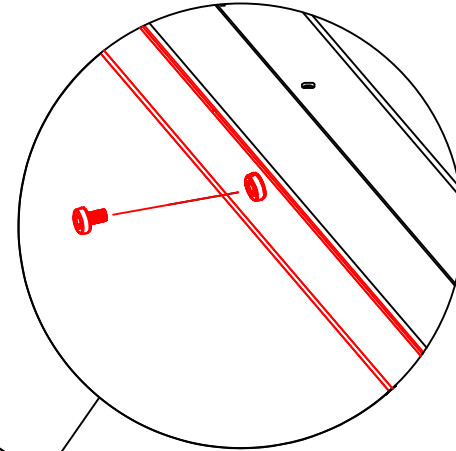
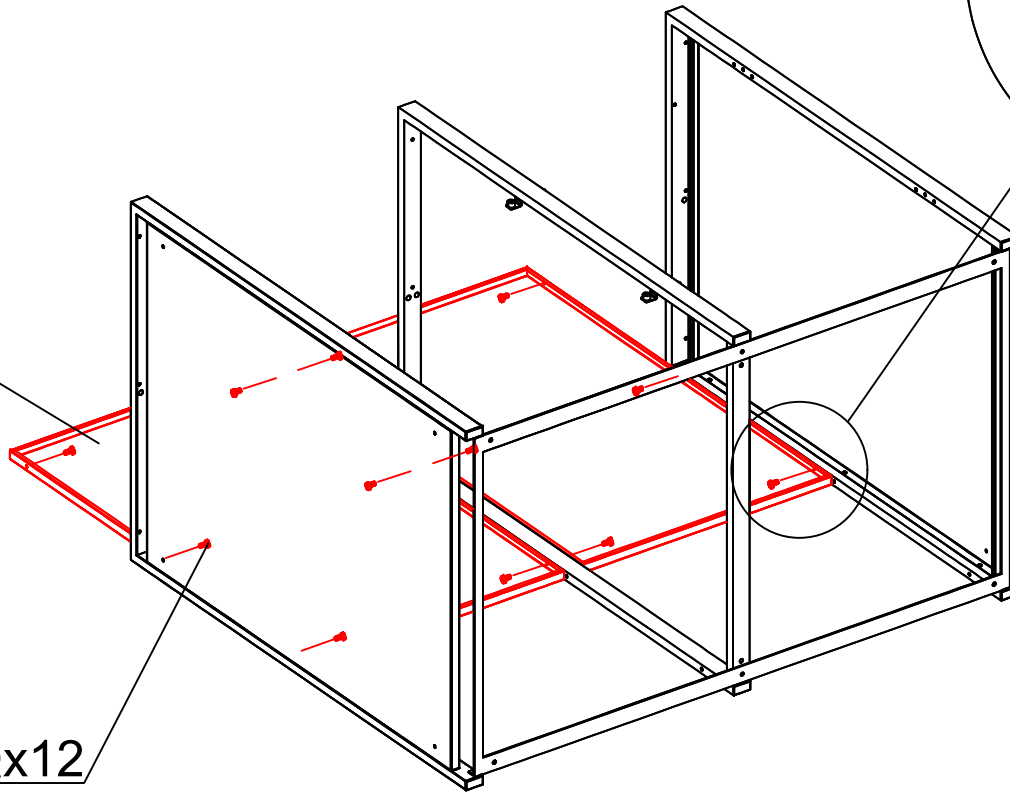


# STEP4

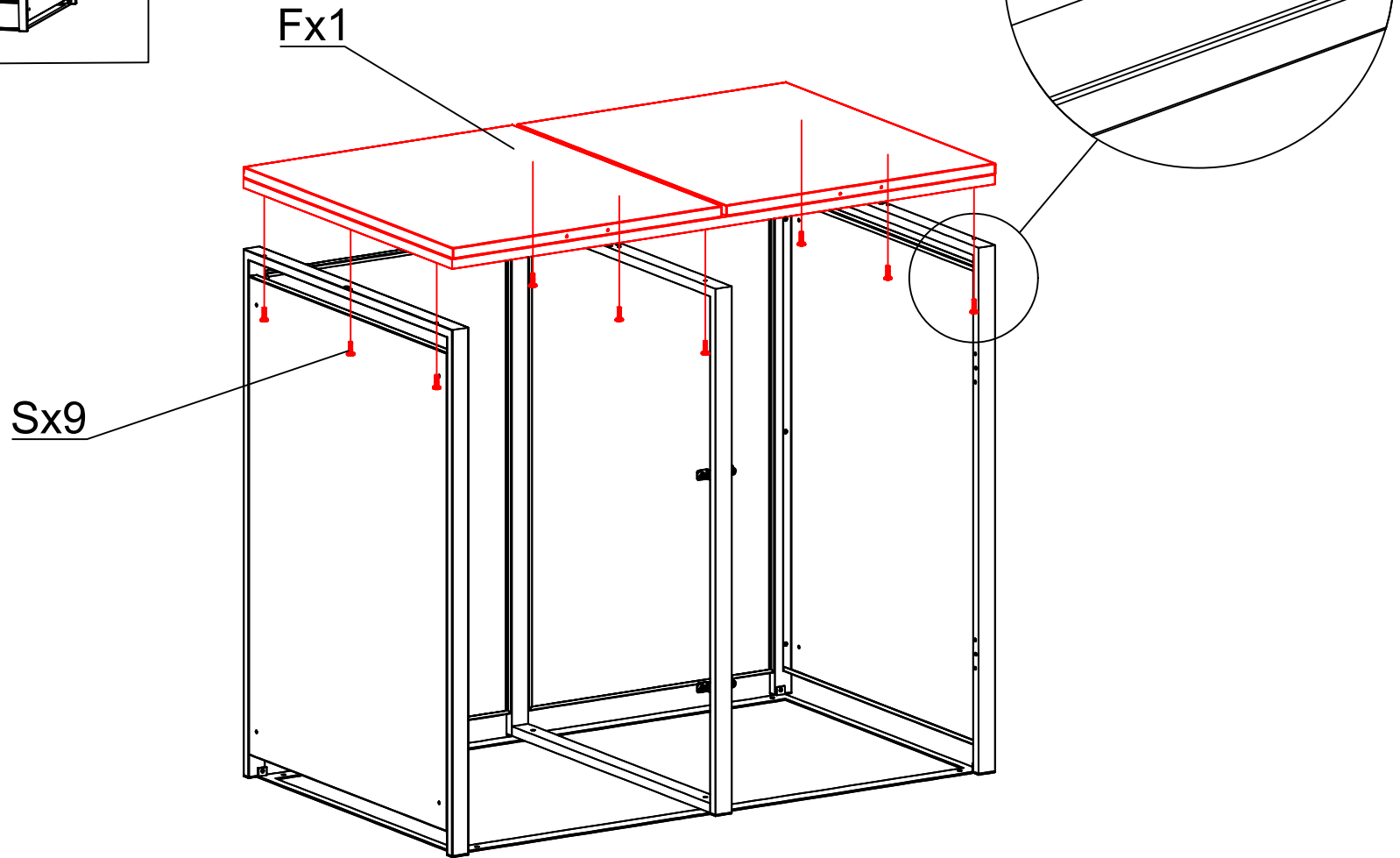
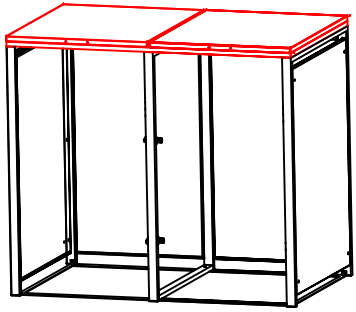


Ex2

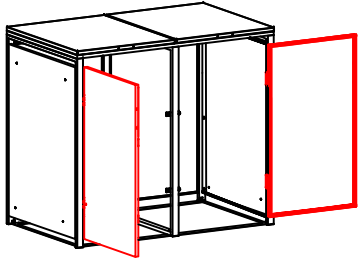
Qx12



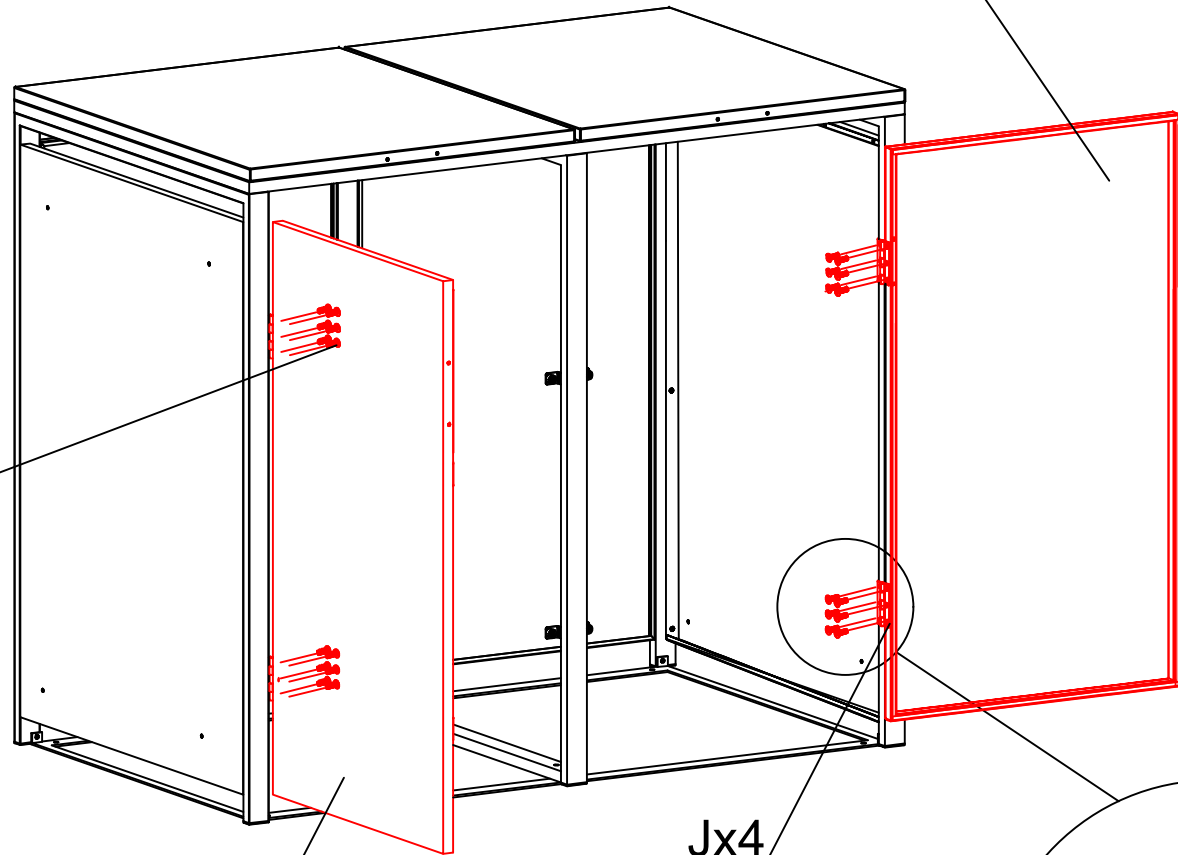
# STEP5



# STEP6



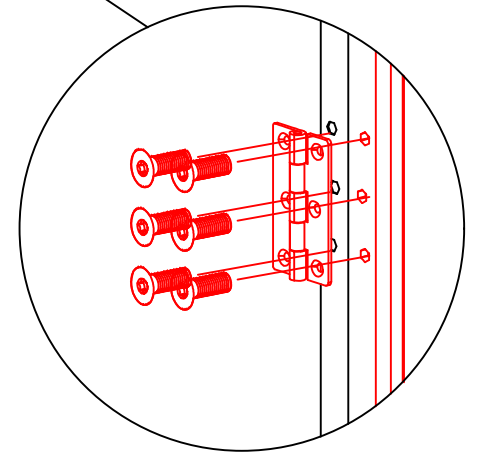
Tx24



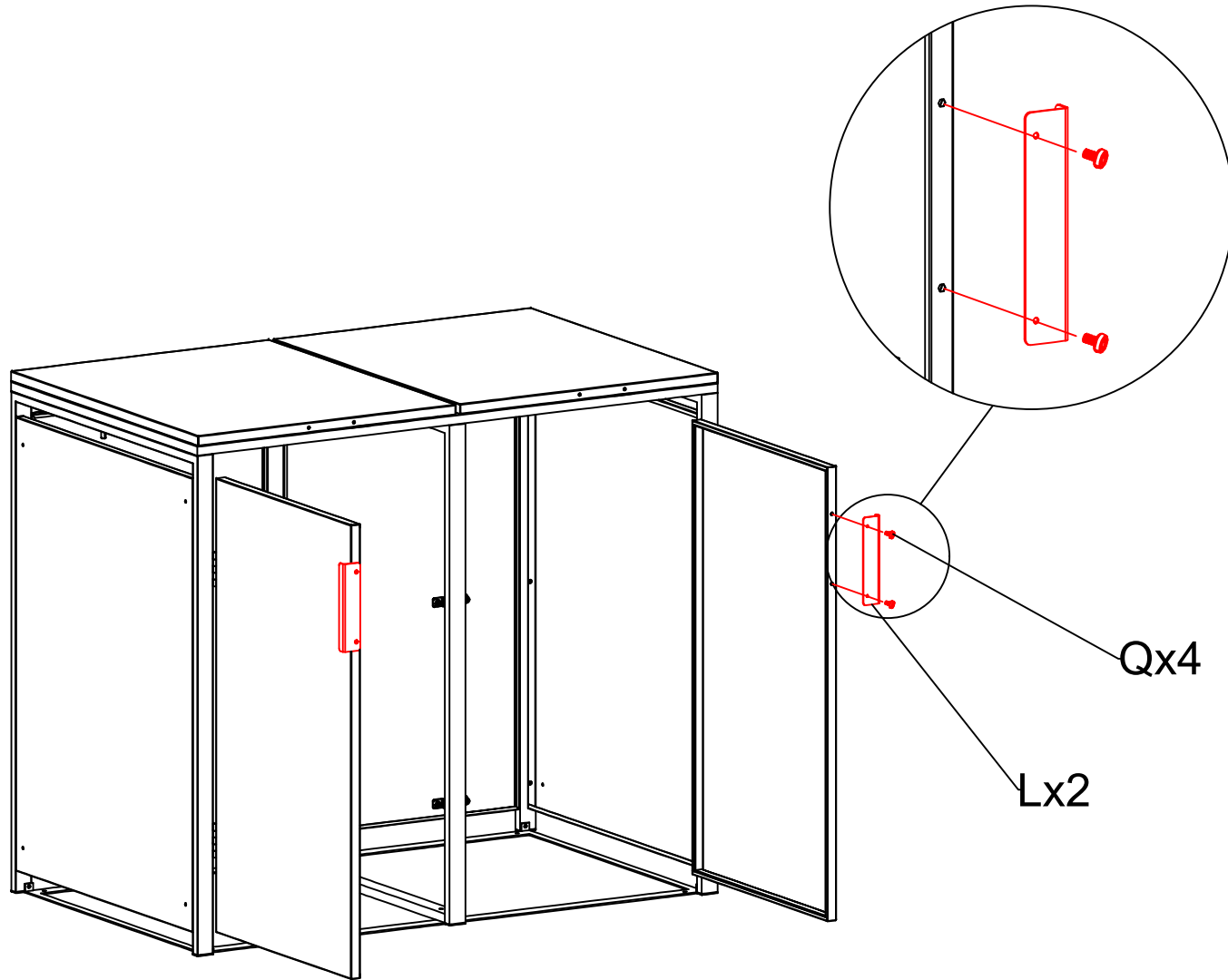
Hx1

Jx4

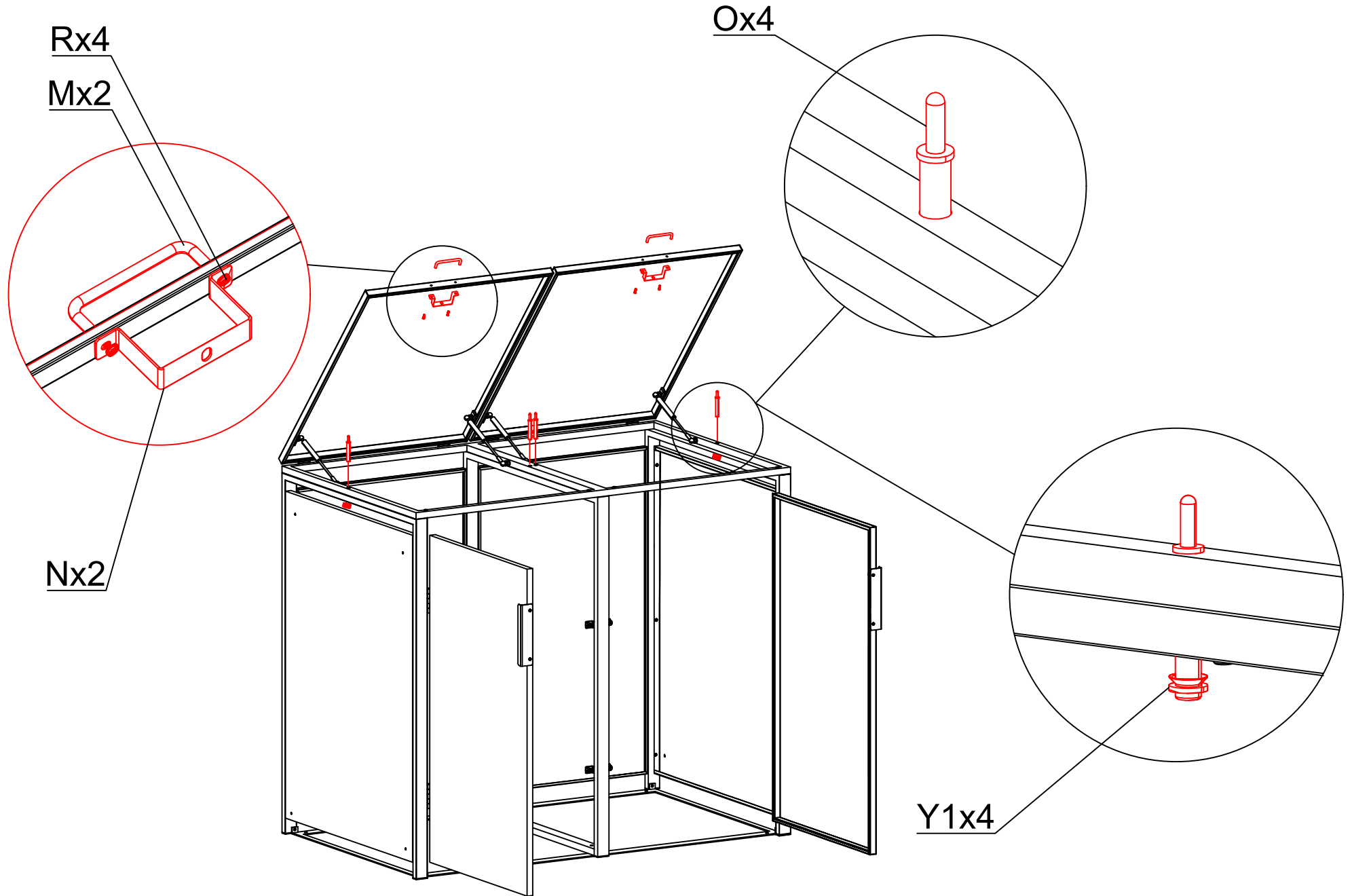
Gx1



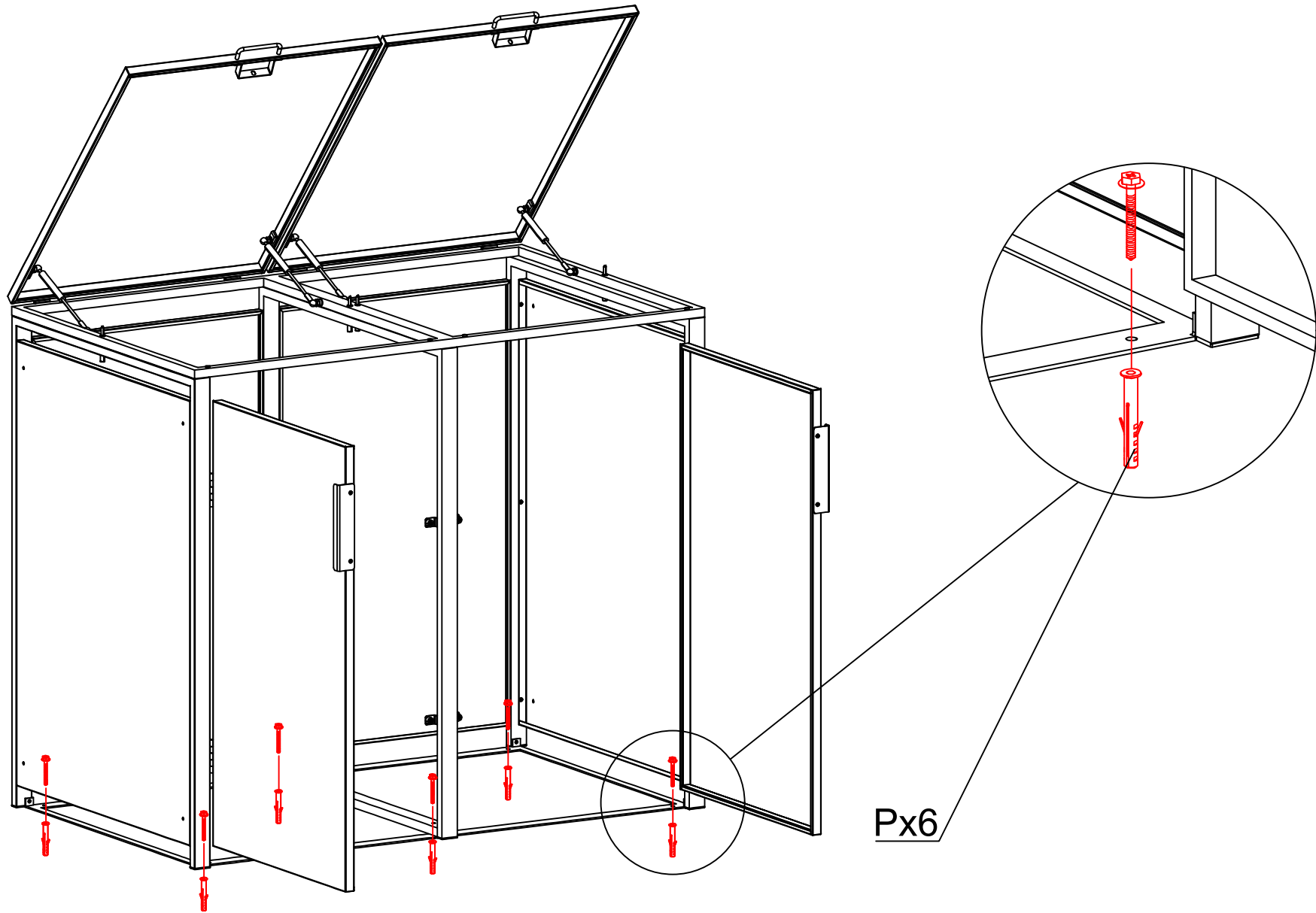
# STEP 7



# STEP8

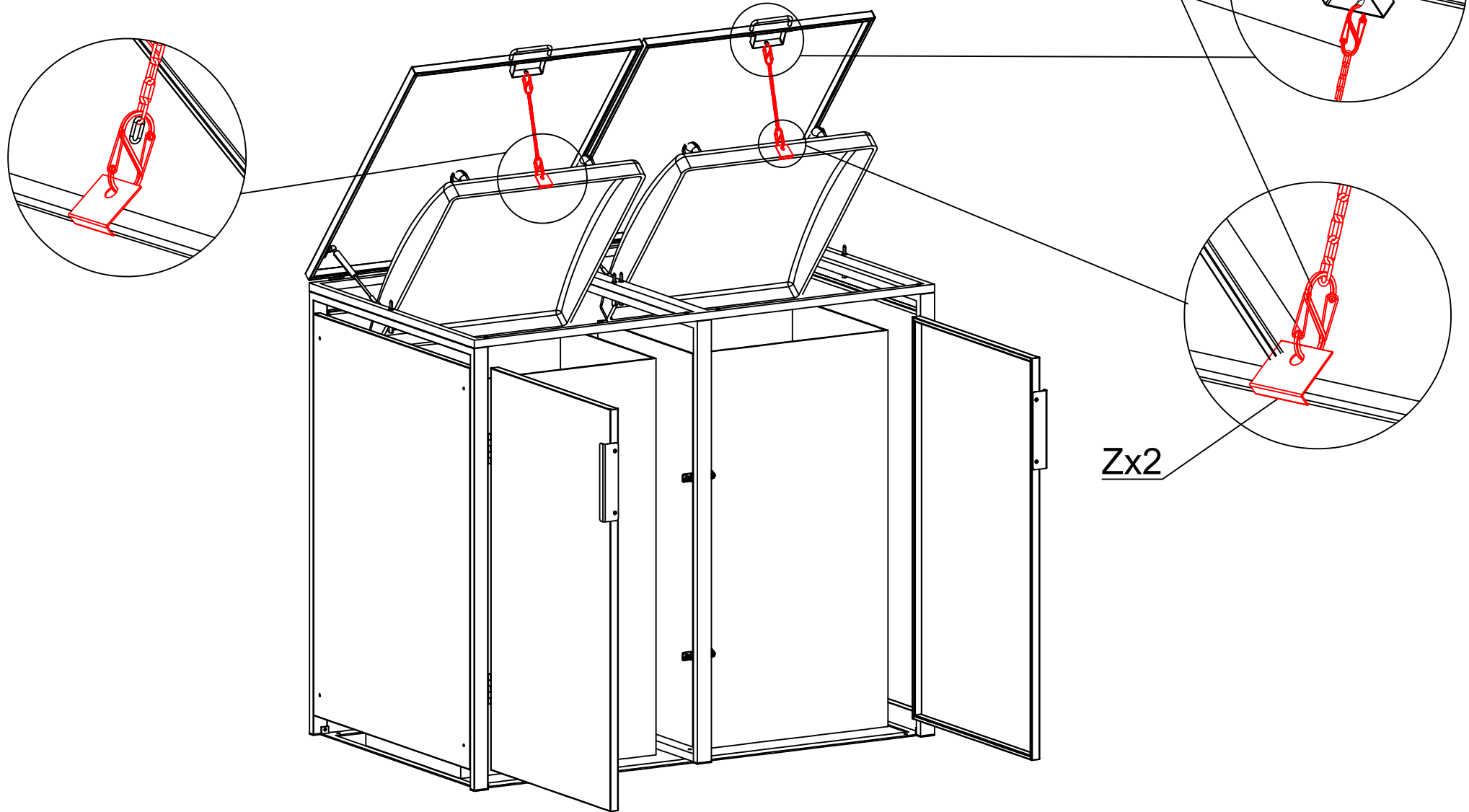


# STEP9

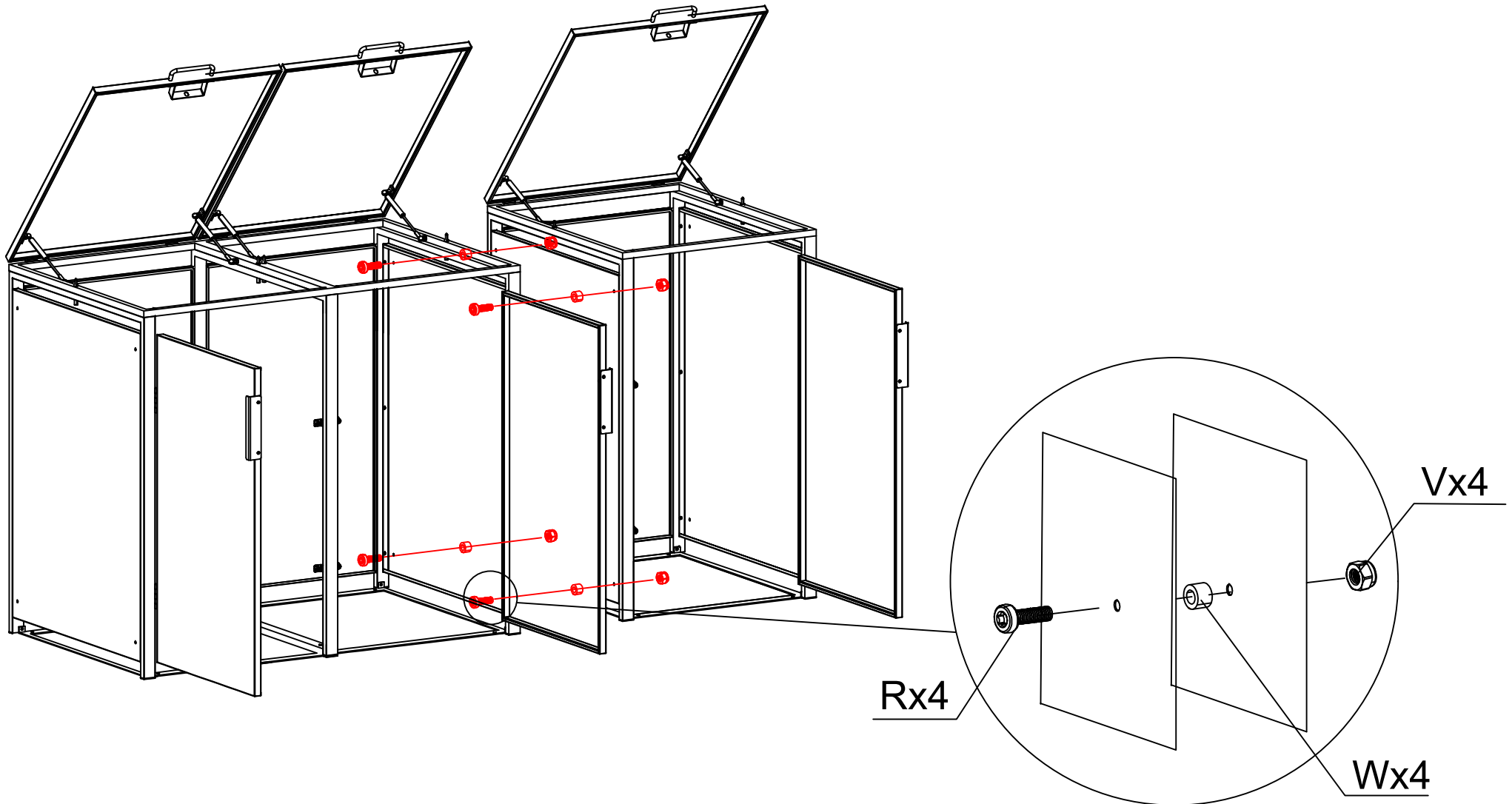


# STEP10

Attach the hook to the lid. Adjust the chain length to ensure it functions properly.



# STEP11



Note: As shown in the figure, when using add-ons, please use sections R,W,V