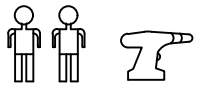
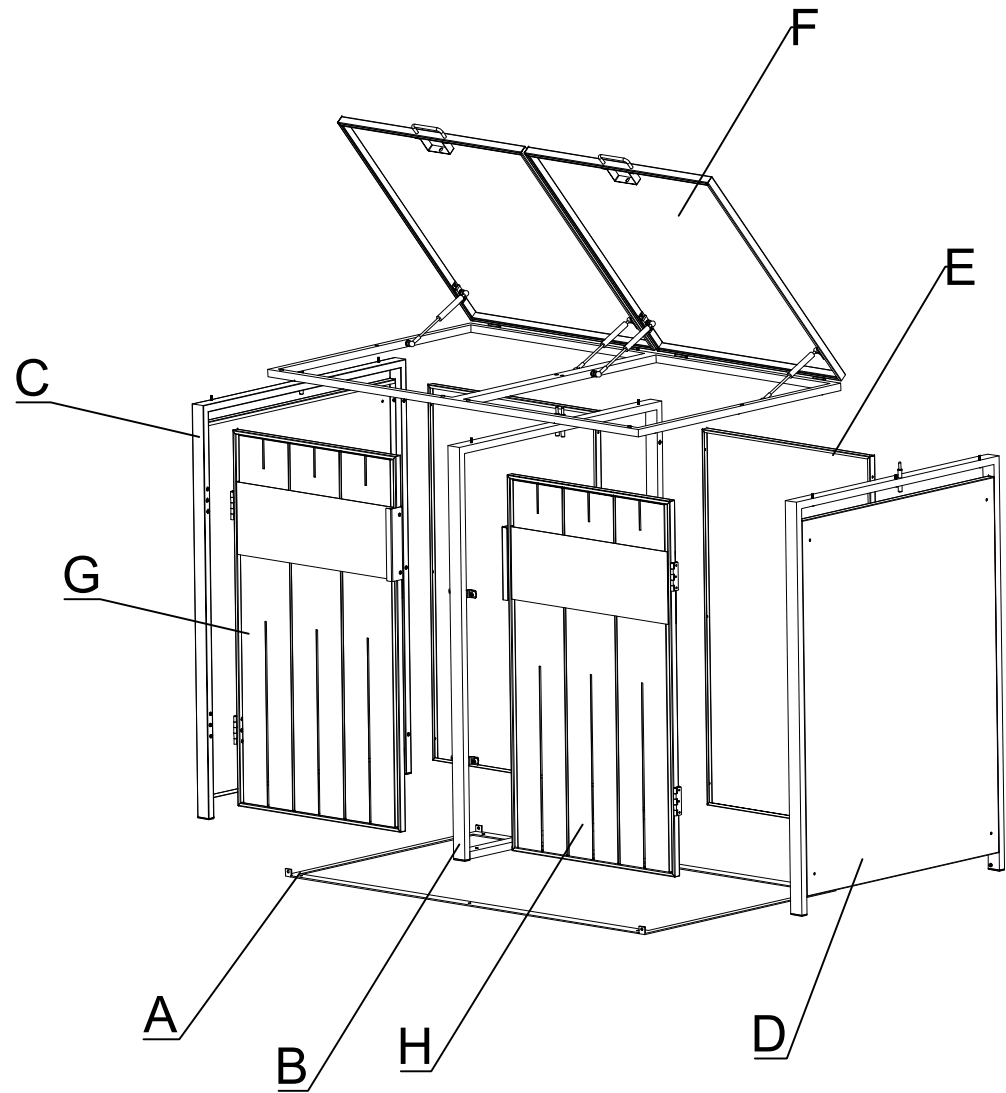
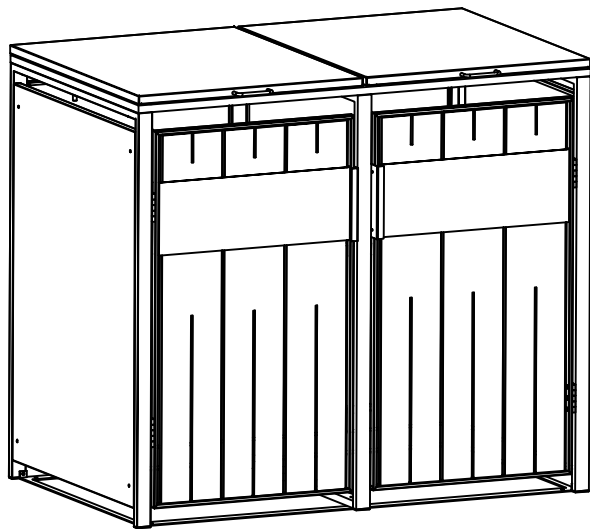
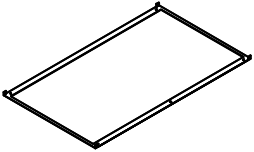
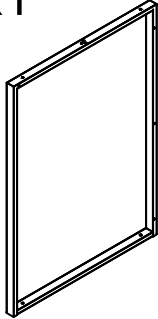
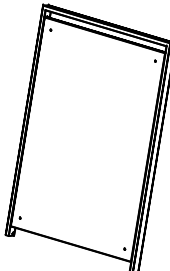
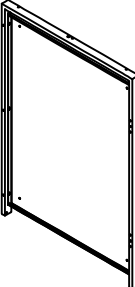
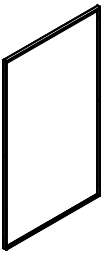
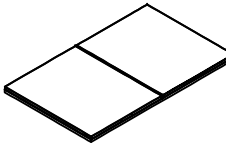
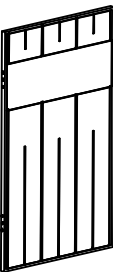
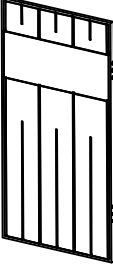
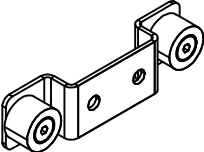
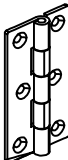
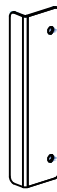
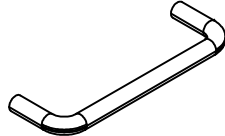
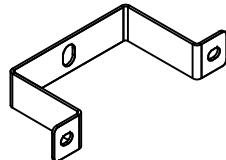




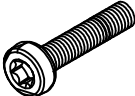
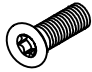
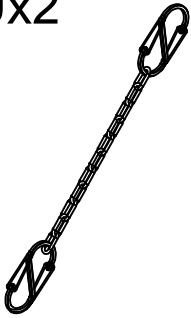
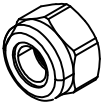
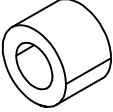
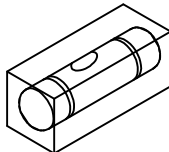
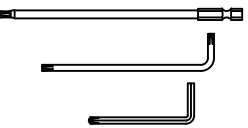
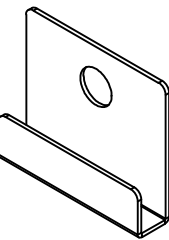



UMBAU MEISTER

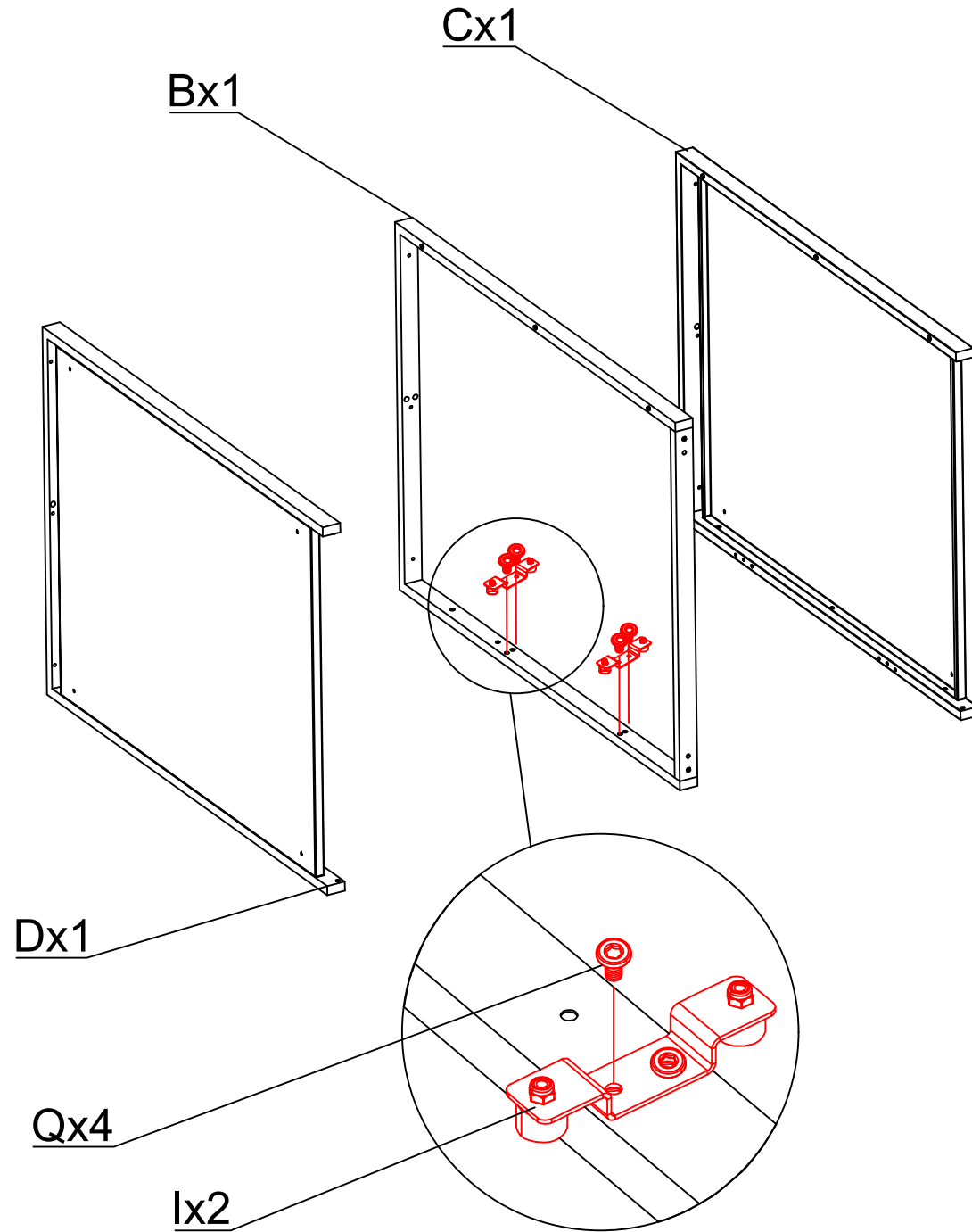


30min

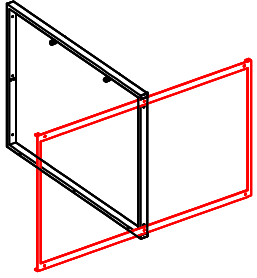
Ax1 	Bx1 	Cx1 	Dx1 	Ex2 	Fx1 	Gx1 	
Hx1 	Ix2 	Jx4 	Lx2 	Mx2 	Nx2 	Ox4 	
Px6 	Qx20  M4*10mm	Rx8  M4*20mm	Sx9  M4*30mm	Tx30  M4*12mm	Ux2 	Vx4 	Wx4 
Xx1 	Yx1 	Zx2 	Y1x4 				

Note:When using an additional Supplementary element,please use part R,V,W

STEP1



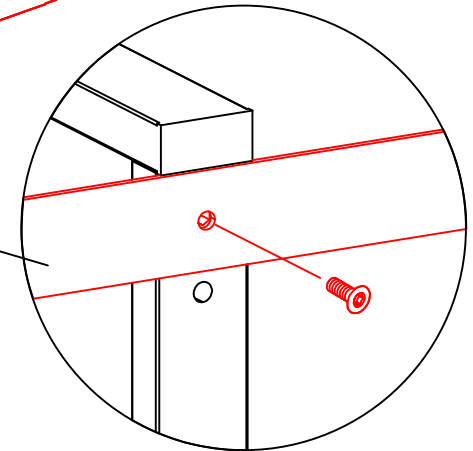
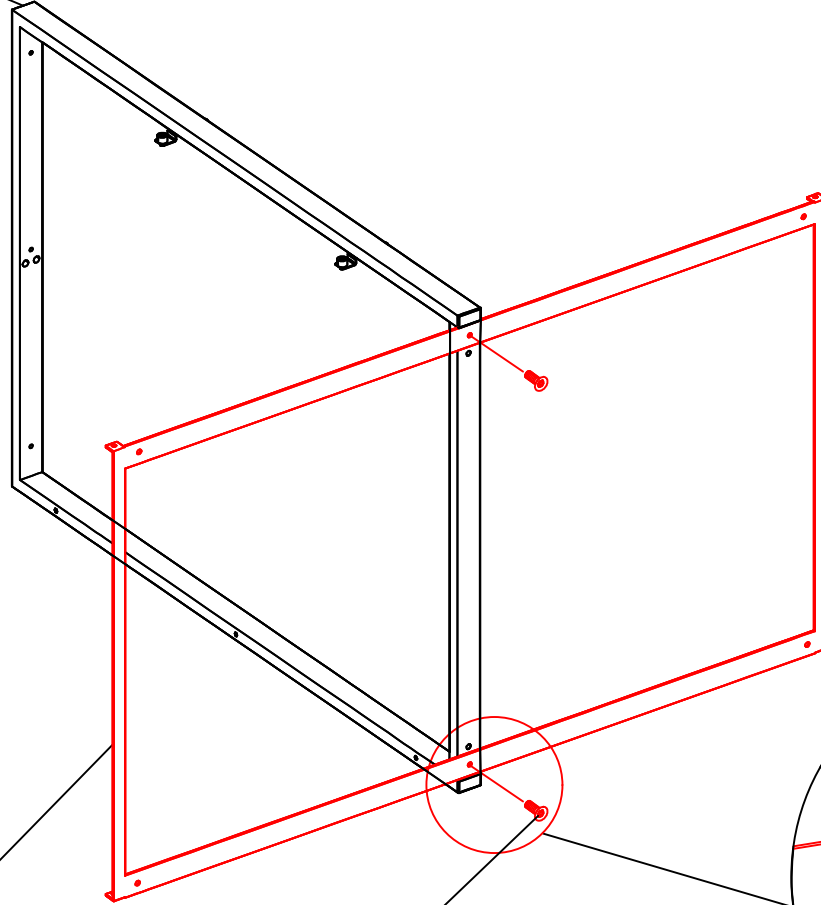
STEP 2



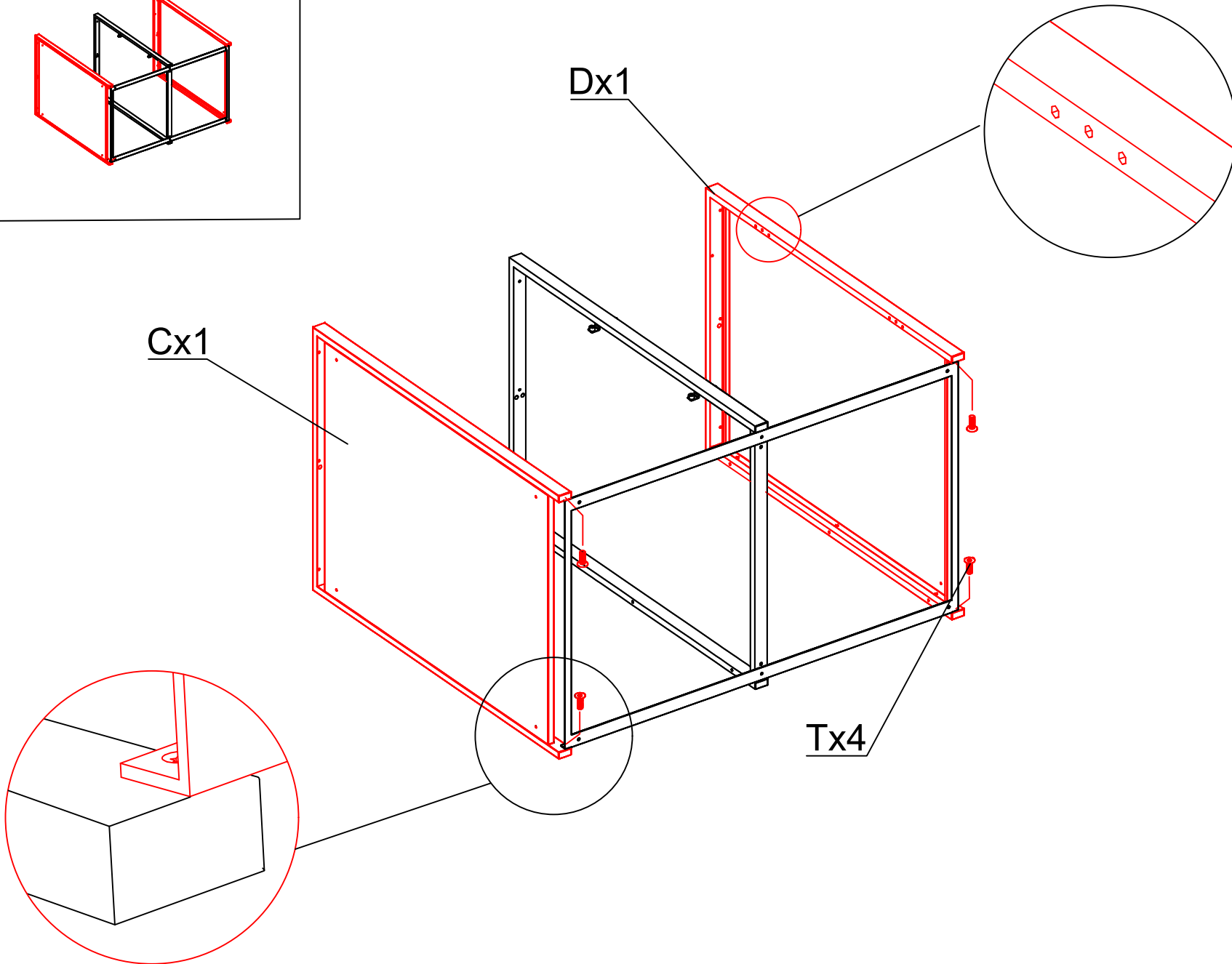
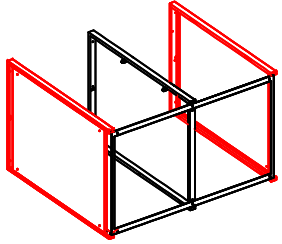
Bx1

Ax1

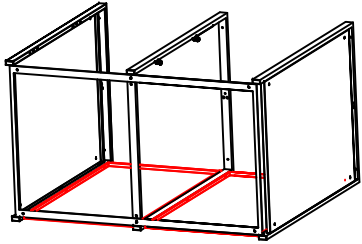
Tx2



STEP3

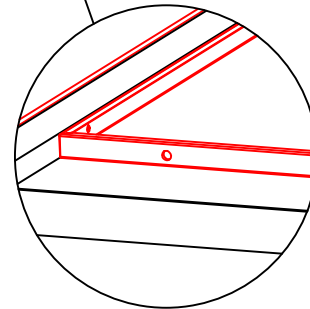
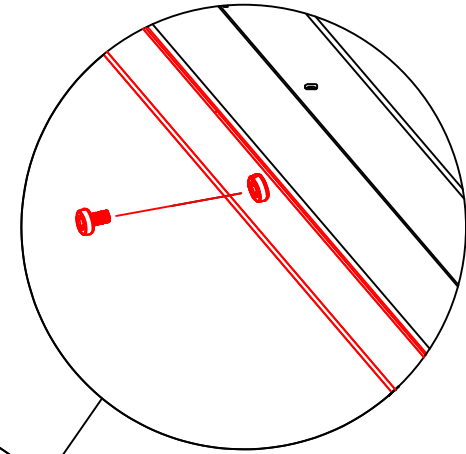
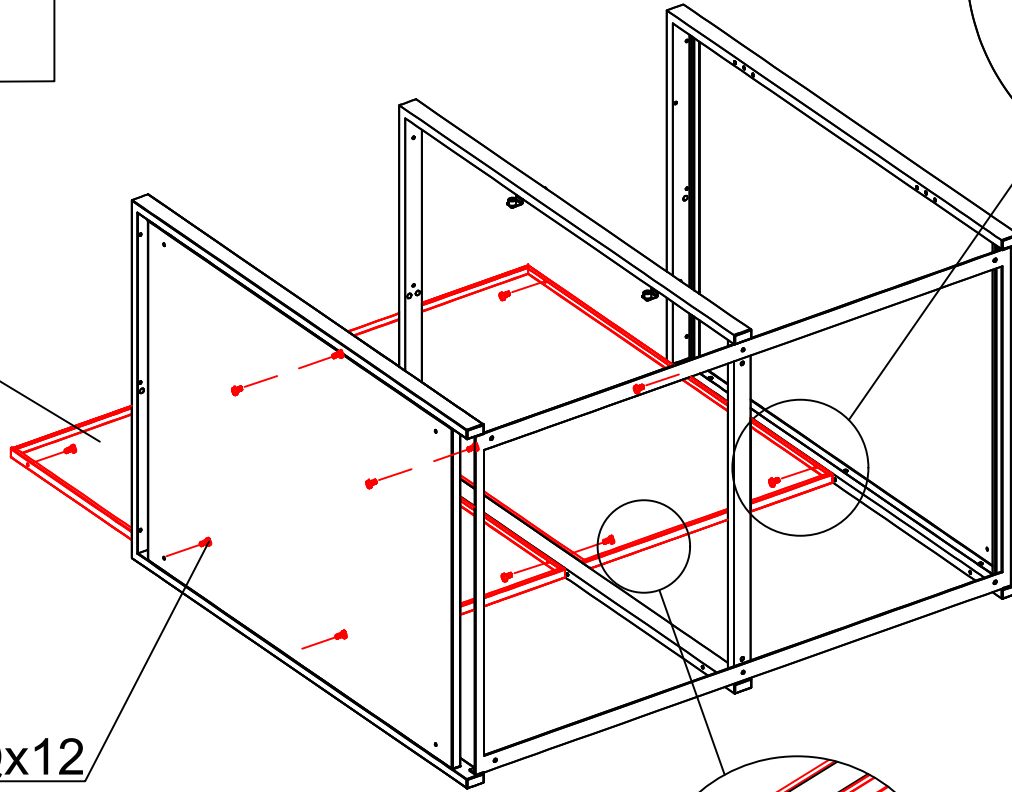


STEP4

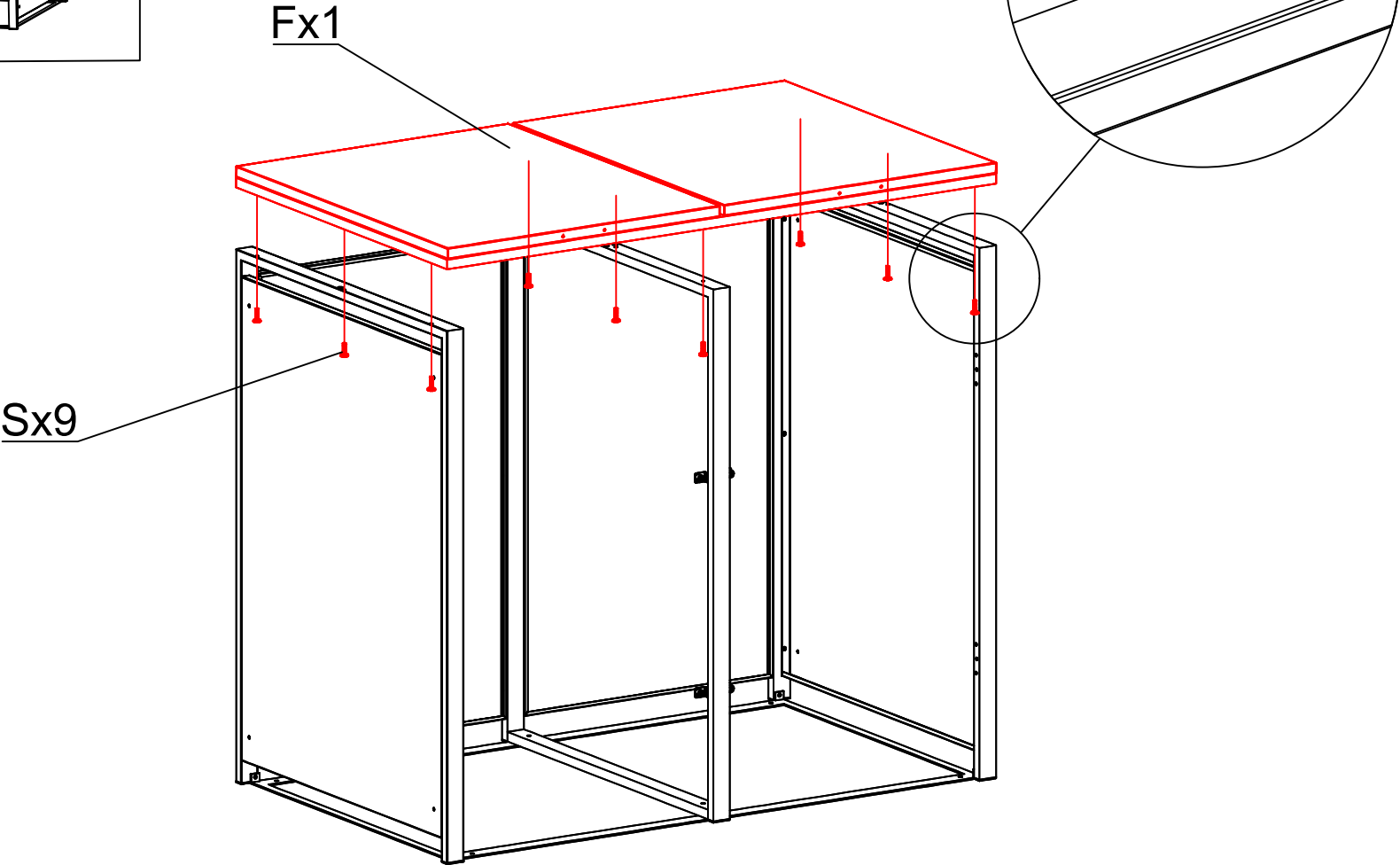
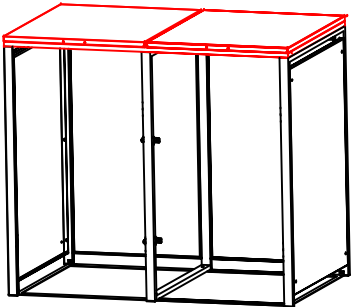


Ex2

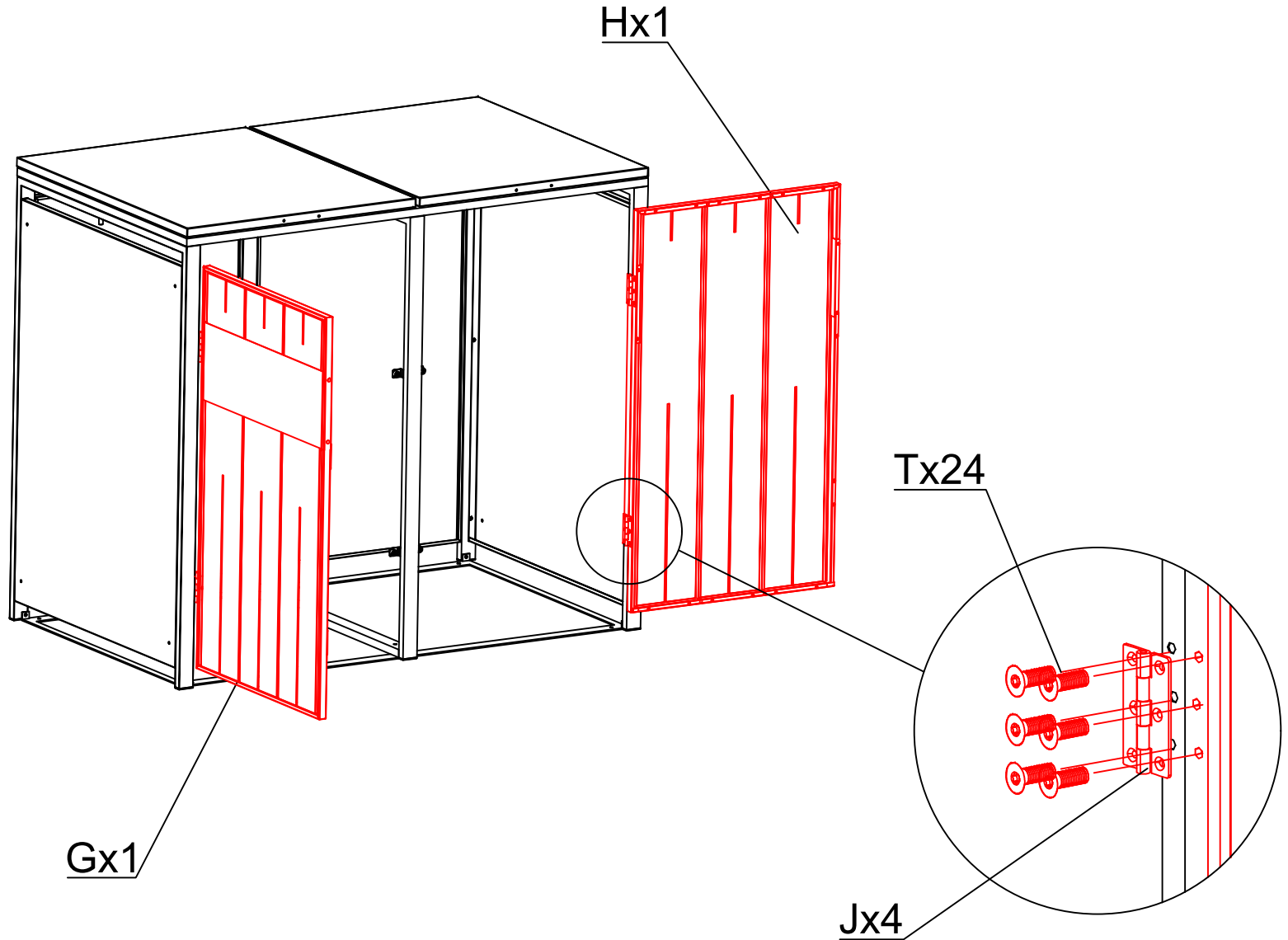
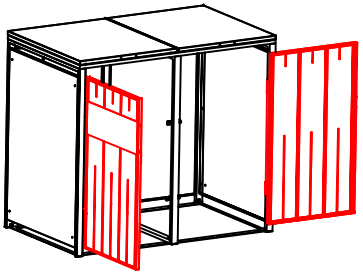
Qx12



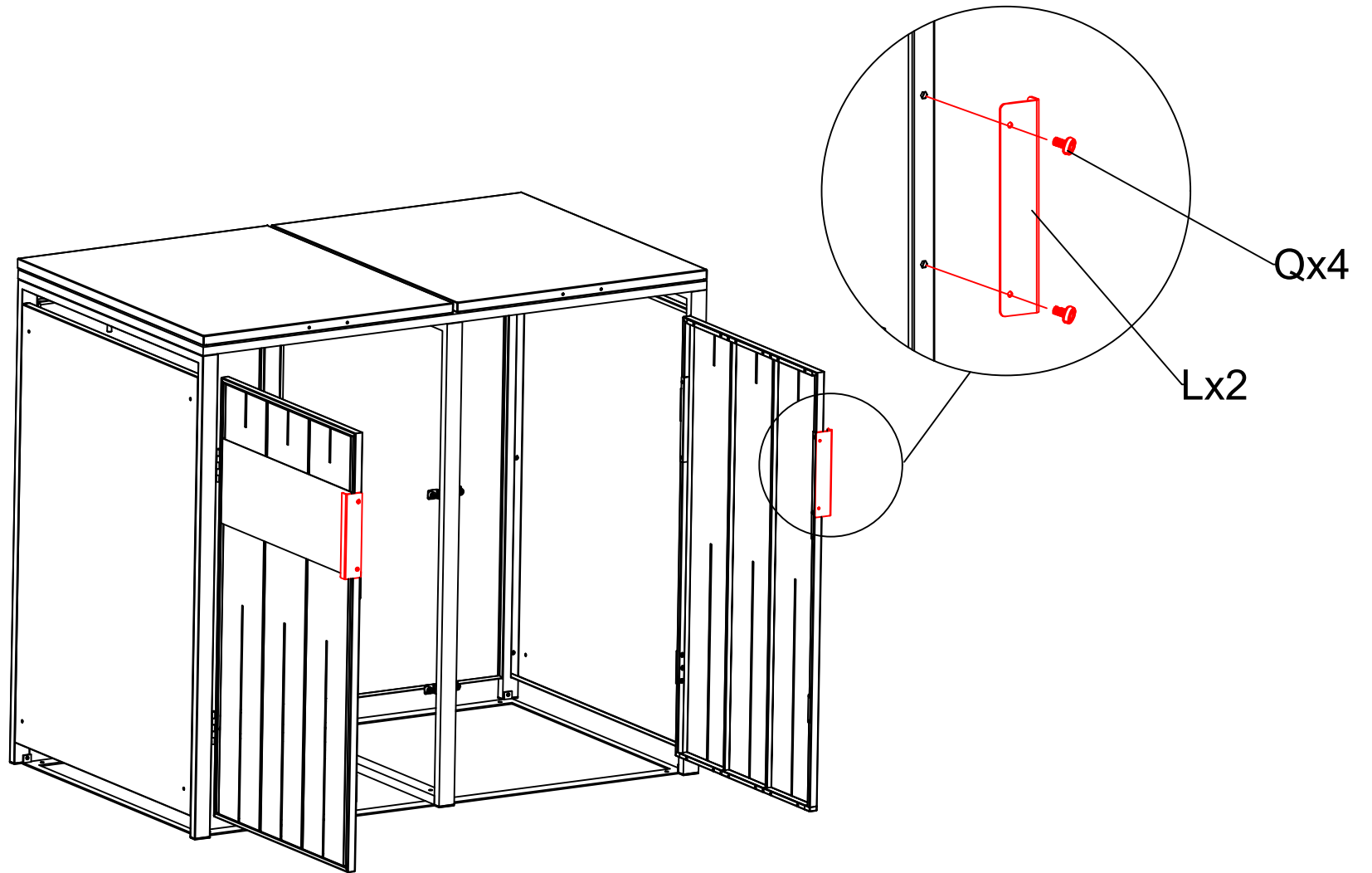
STEP5



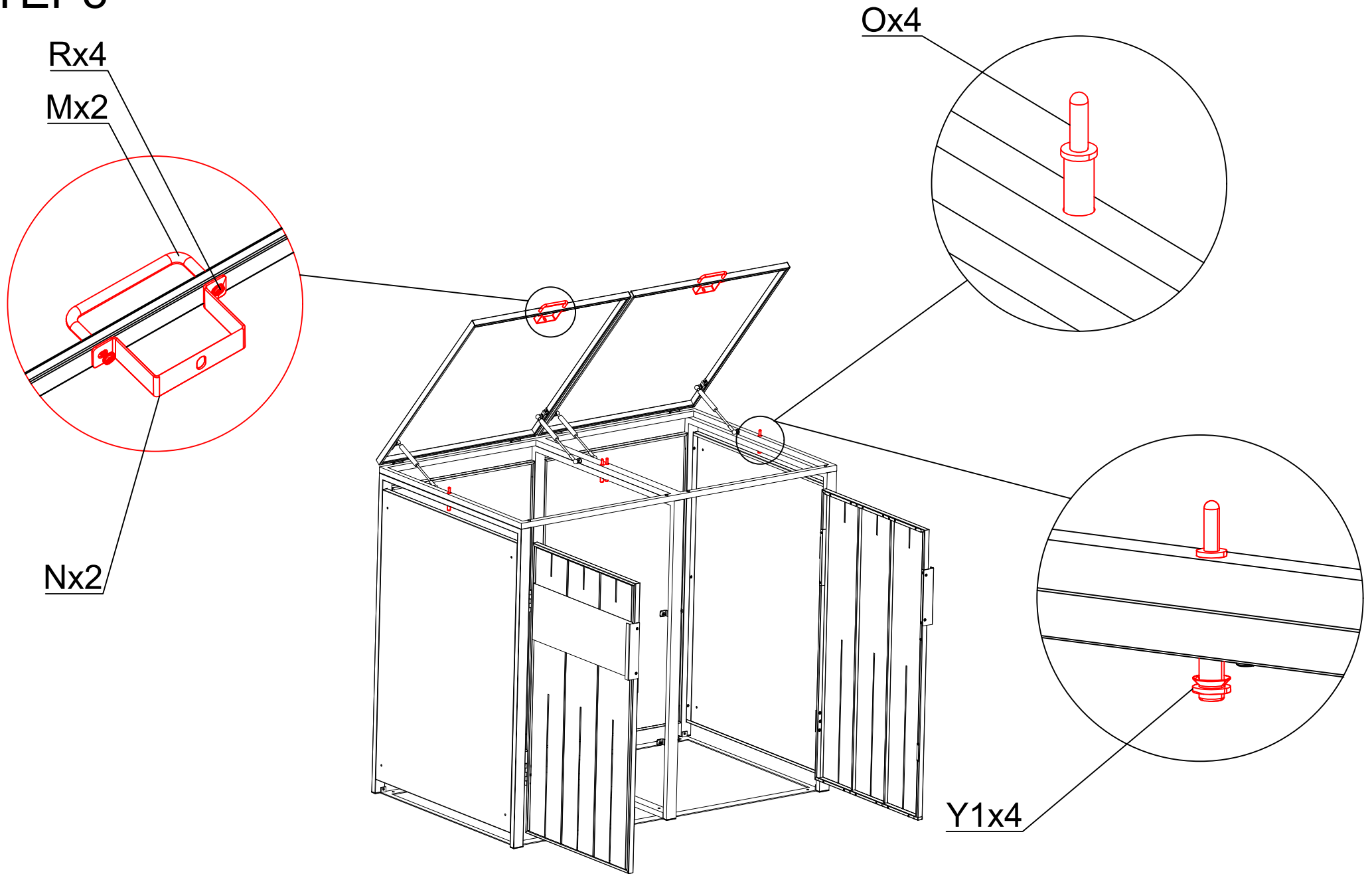
STEP6



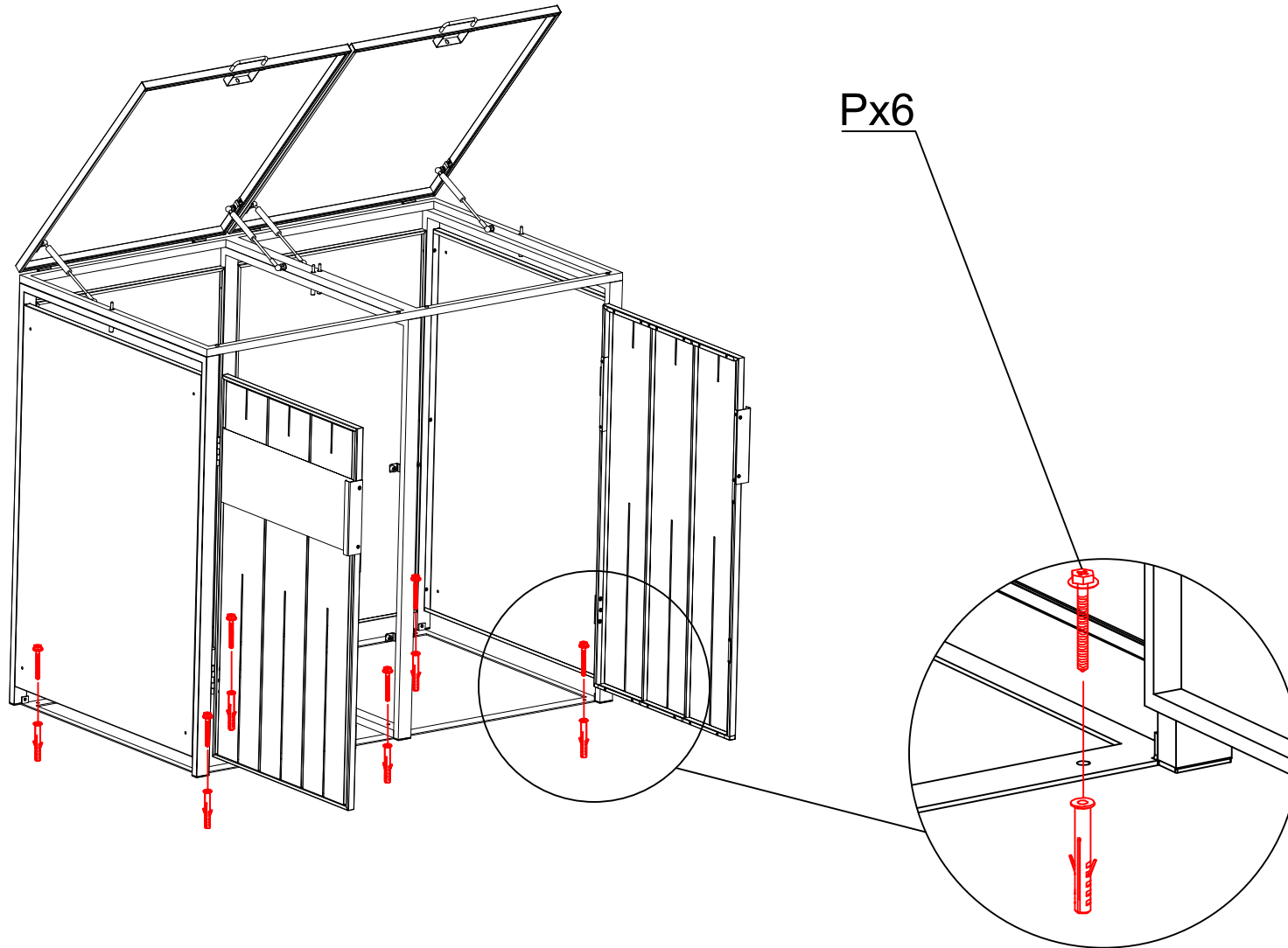
STEP 7



STEP8



STEP 9



STEP10

Attach the hook to the lid. Adjust the chain length to ensure it functions properly.

