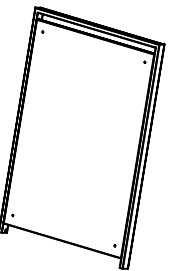
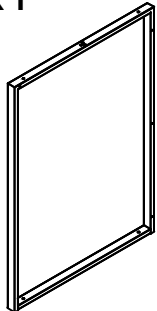
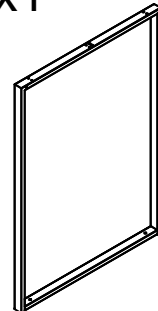
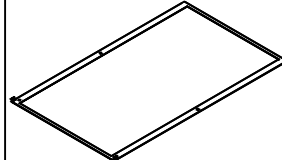
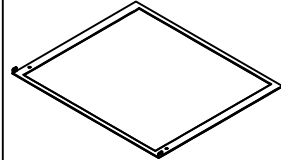
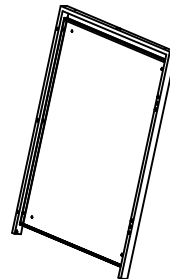
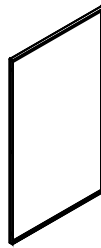
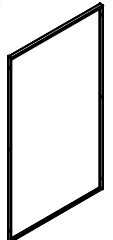
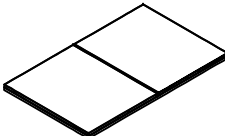
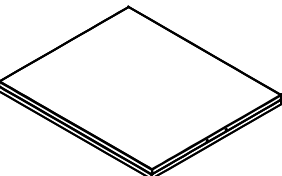
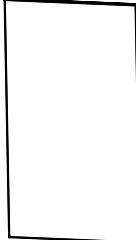
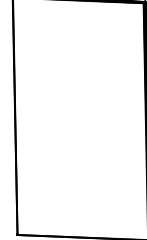
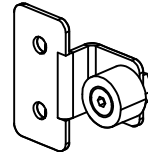
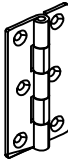
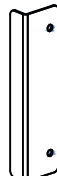
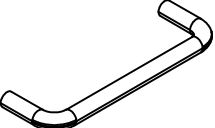
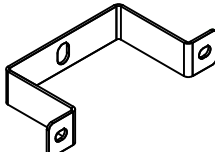




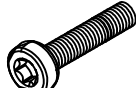

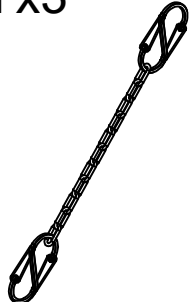
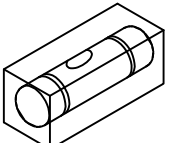

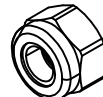


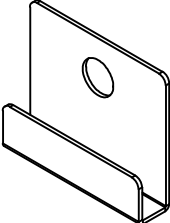
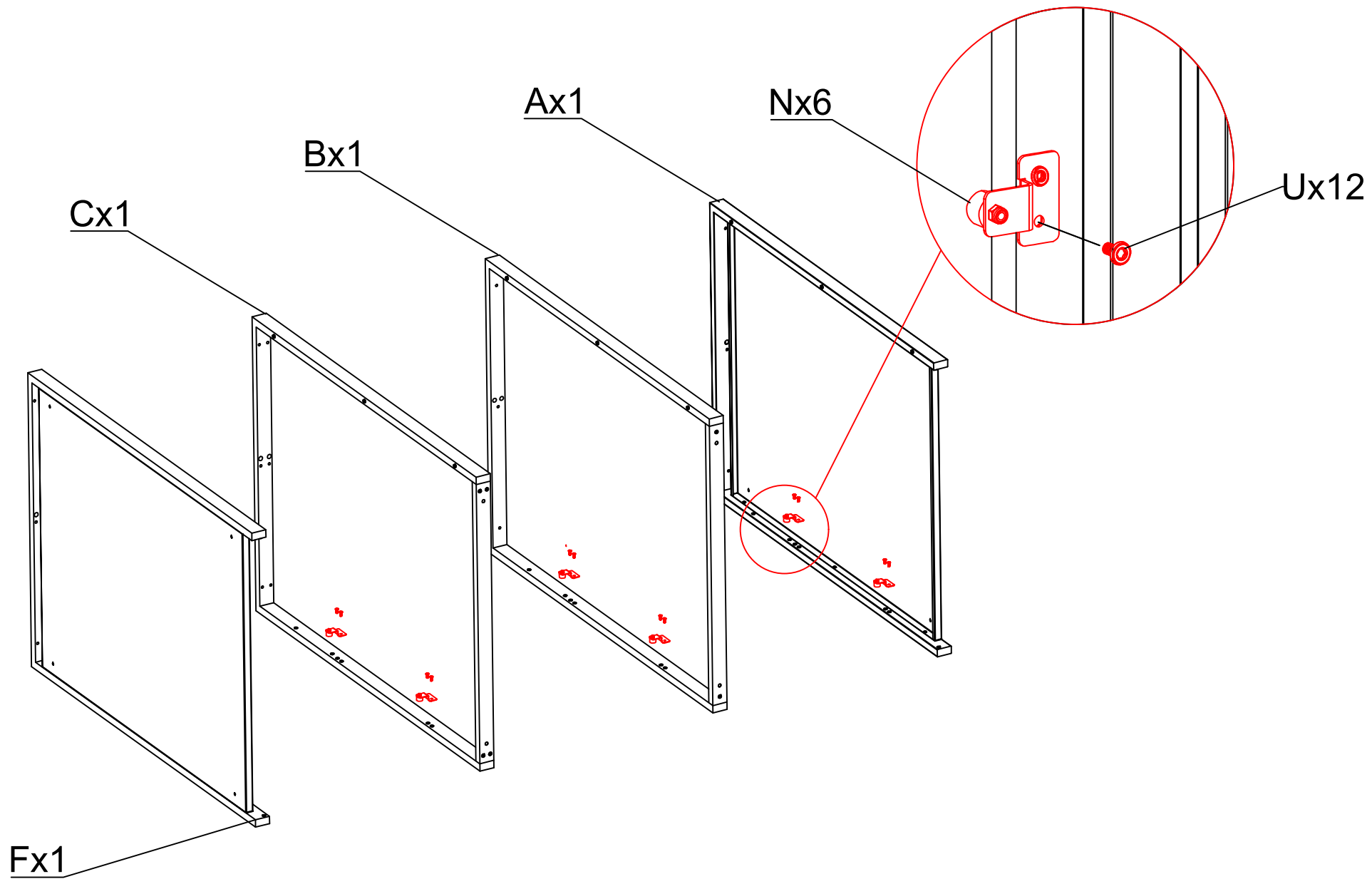


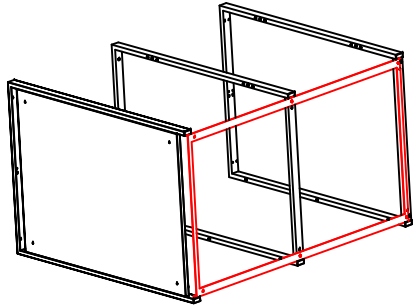
Ax1 	Bx1 	Cx1 	Dx1 	Ex1 	Fx1 	Gx2  1014*598*20mm	
Hx1  1014*623*20mm	Ix1 	Jx1 	Lx2  1014*580*22mm	Mx1  1014*605*22mm	Nx6 	Ox6 	
Px3 	Qx3 	Rx3 	Sx6 	Tx8 	Ux36  M4*10mm	Vx10  M4*20mm	Wx15  M4*30mm
Xx46  M4*12mm	Yx3 	Zx1 	A1x1 	B1x4 	C1x4 	Y1x6 	D1x3 

Note:When using an additional Supplementary element,please use part V,B1,C1

Step-1



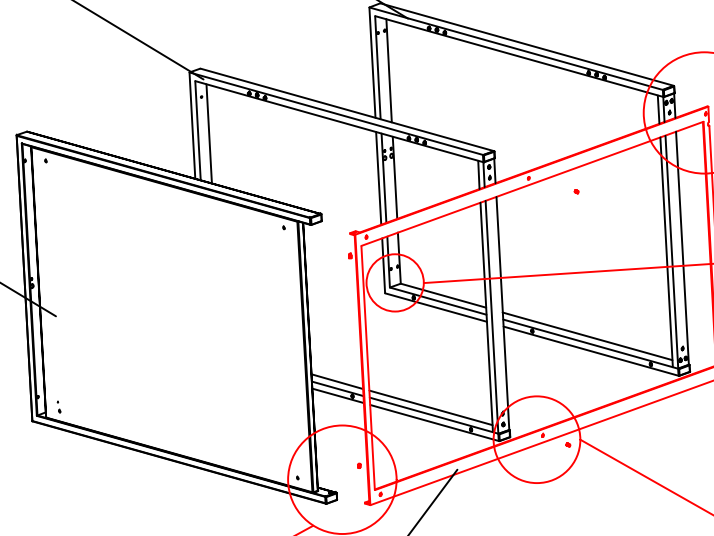
Step-2



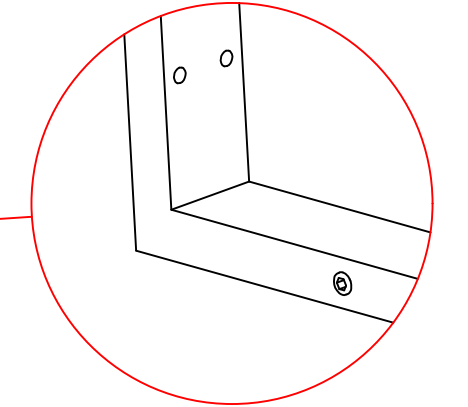
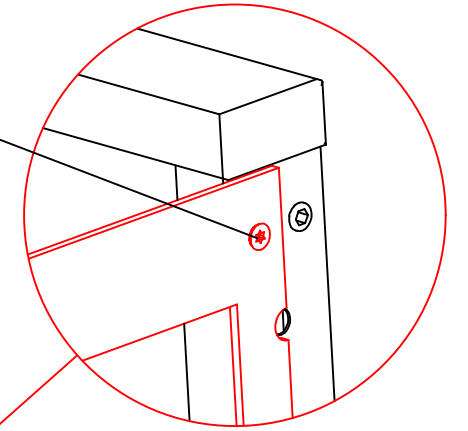
Bx1

Cx1

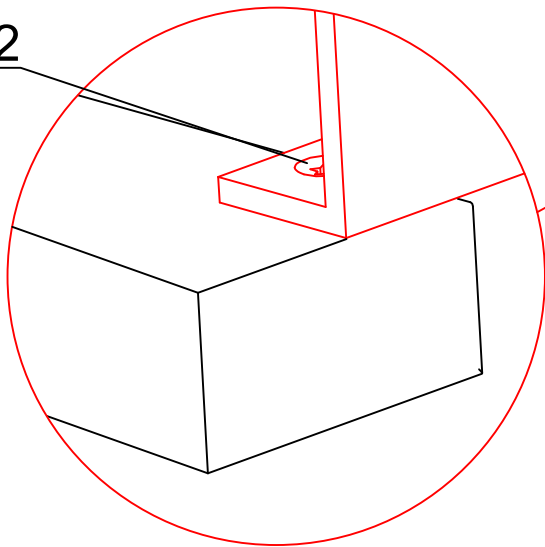
Ax1



Xx2

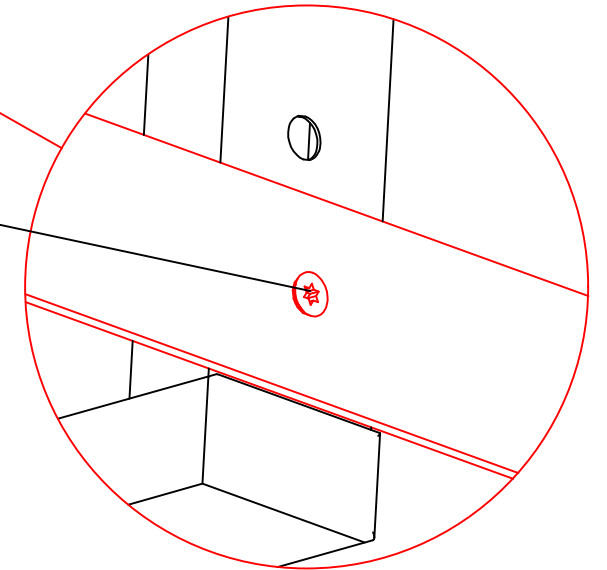


Xx2

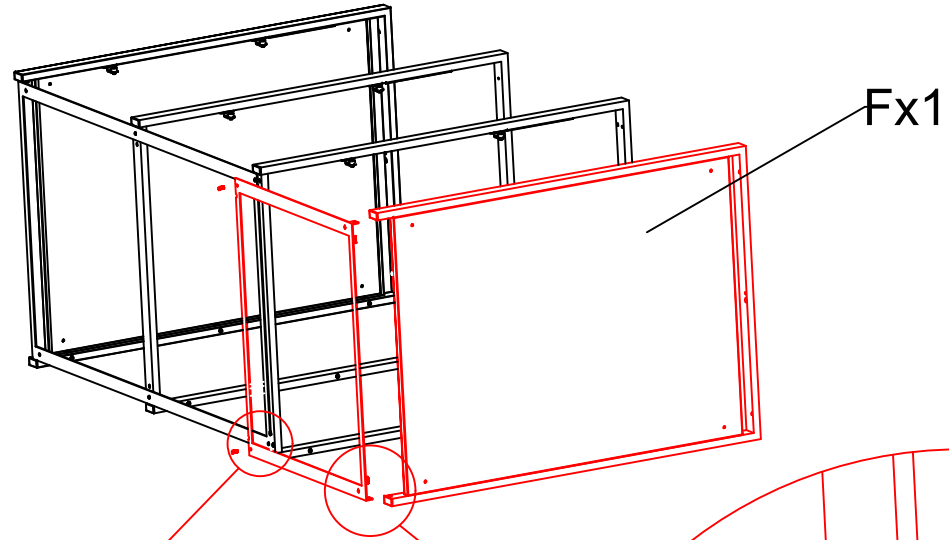
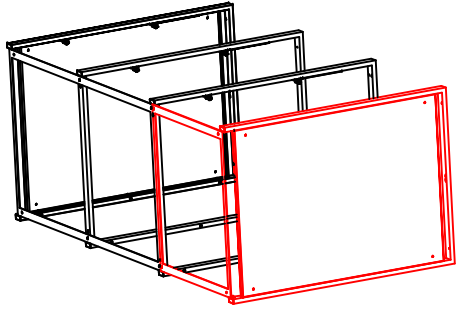


Dx1

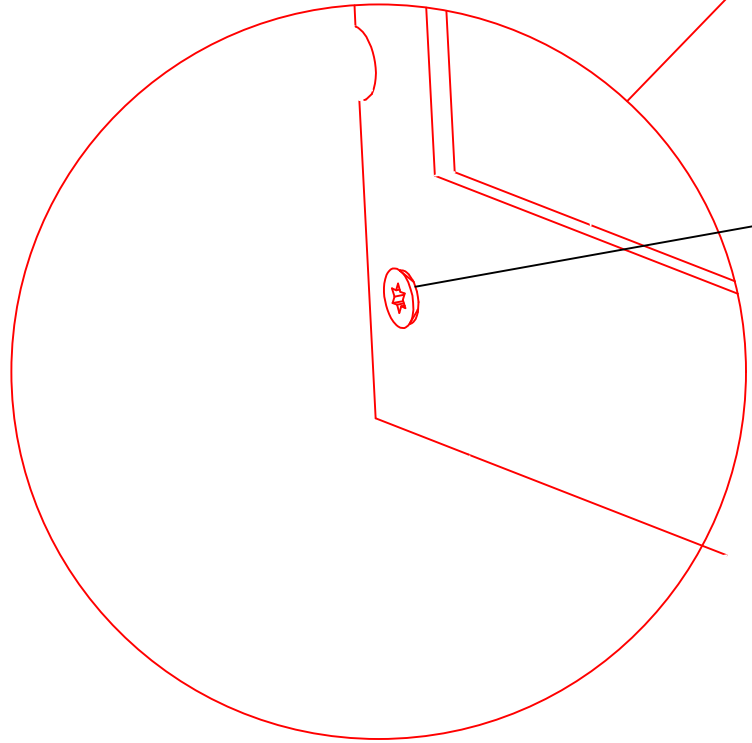
Xx2



Step-3

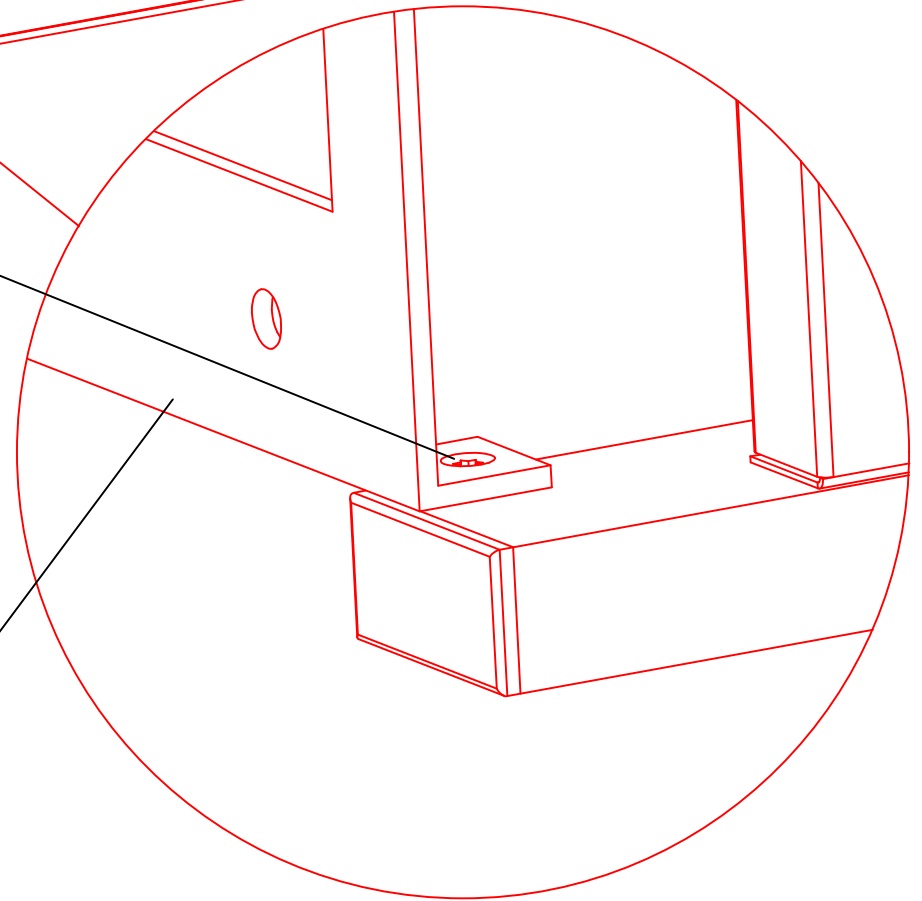


Fx1



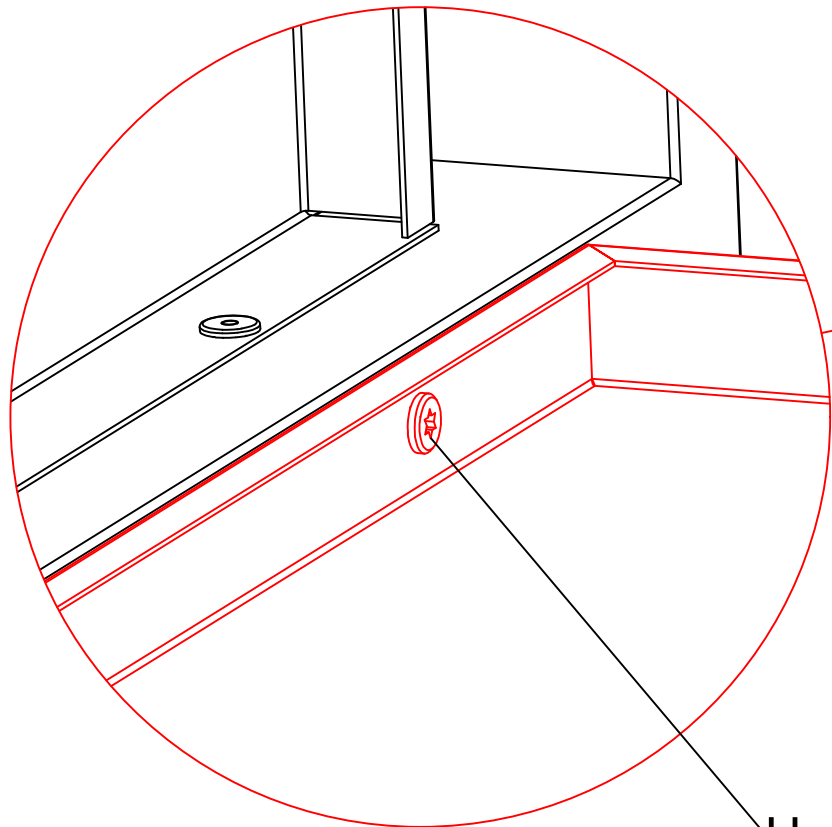
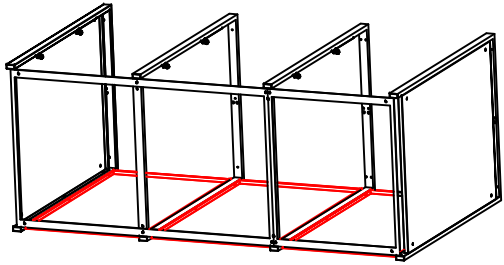
Xx2

Xx2

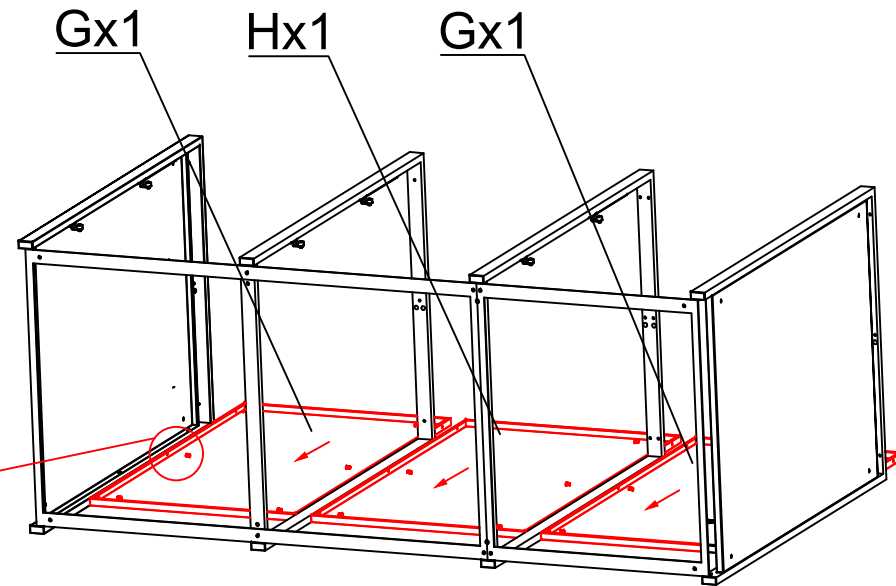


Ex1

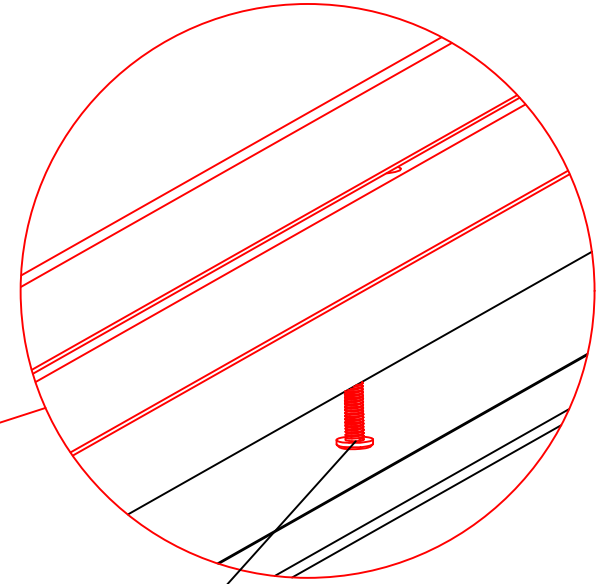
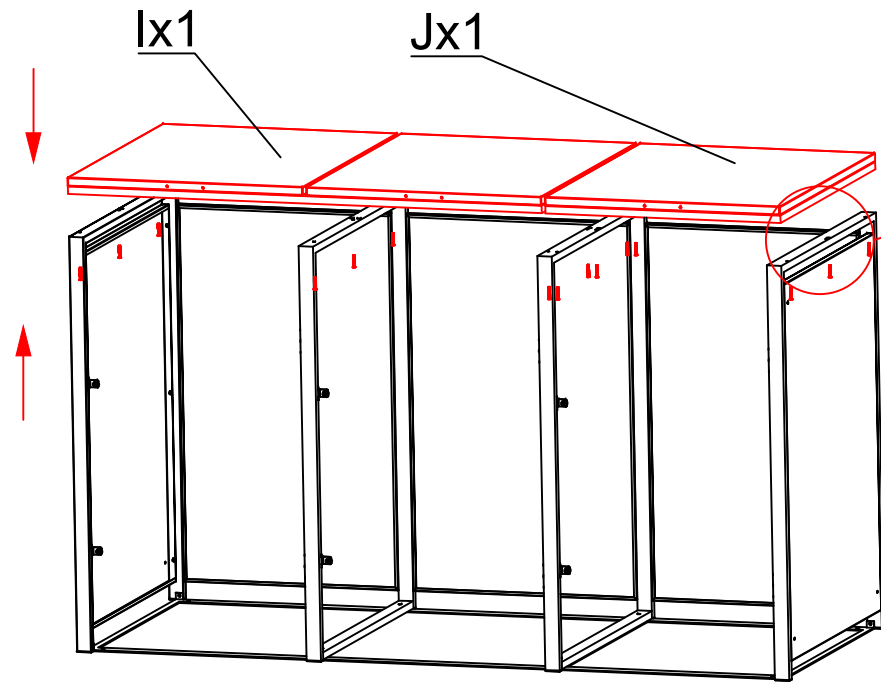
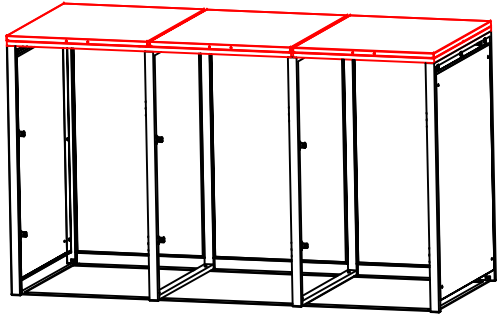
Step-4



Ux18

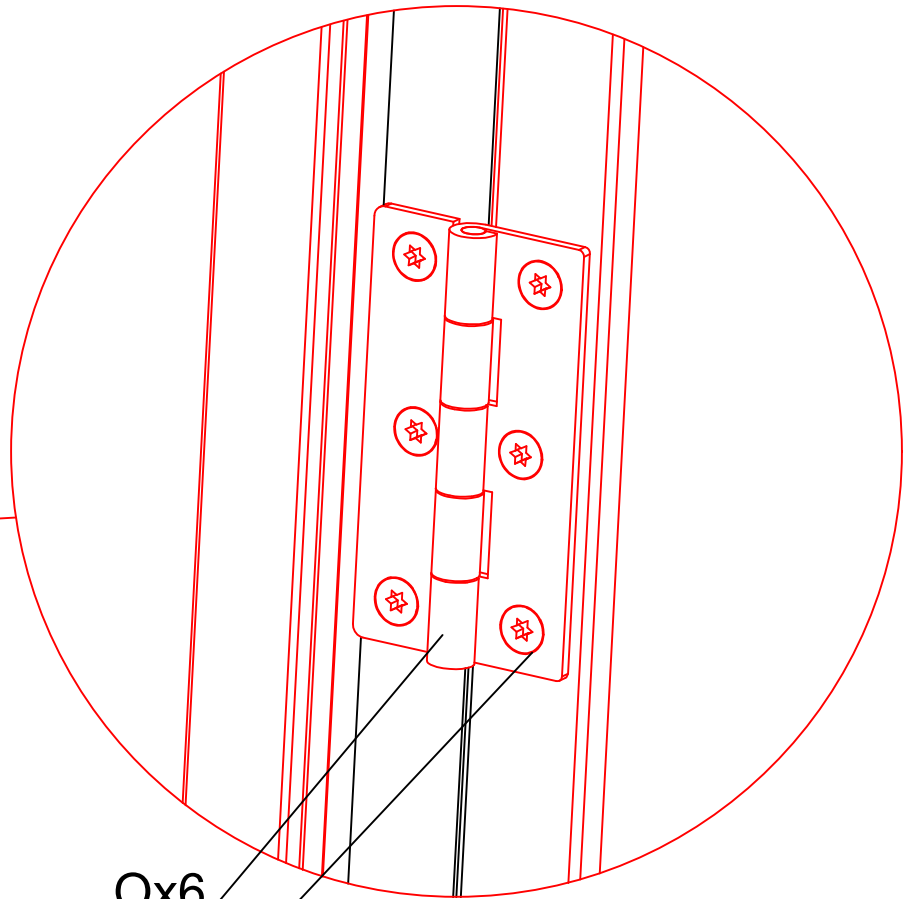
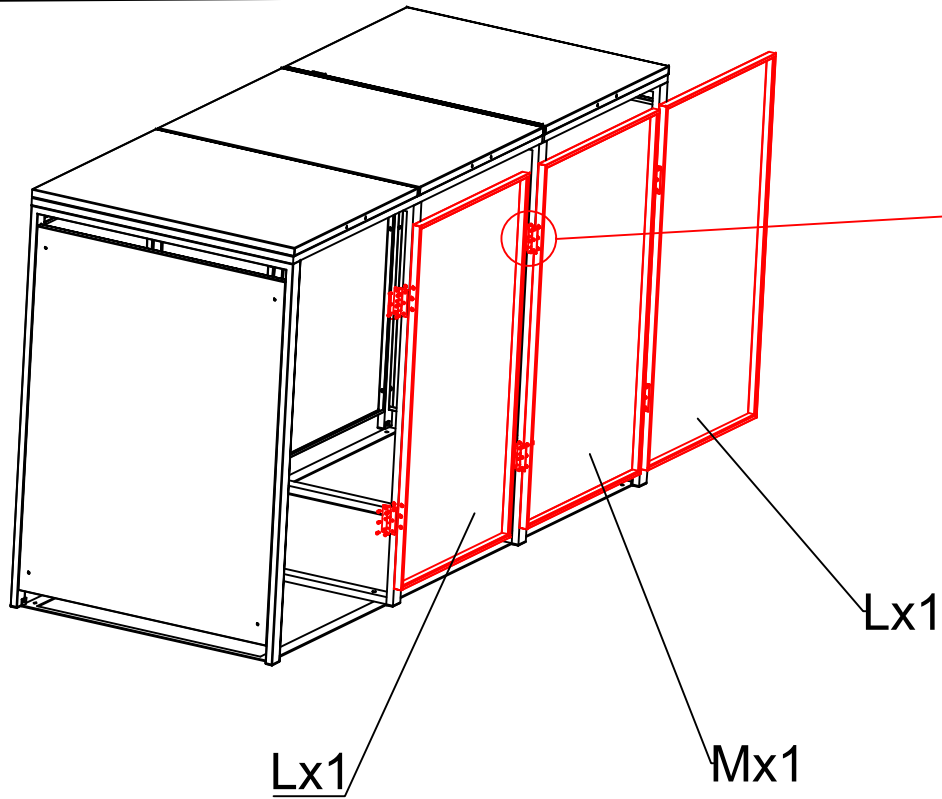
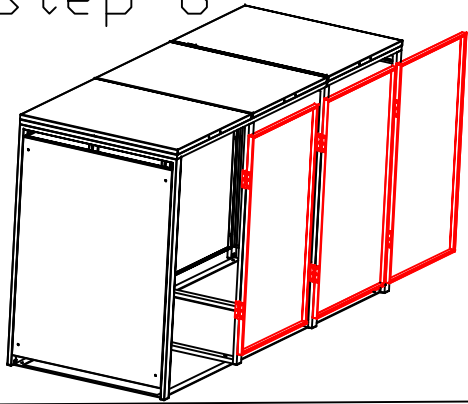


Step-5



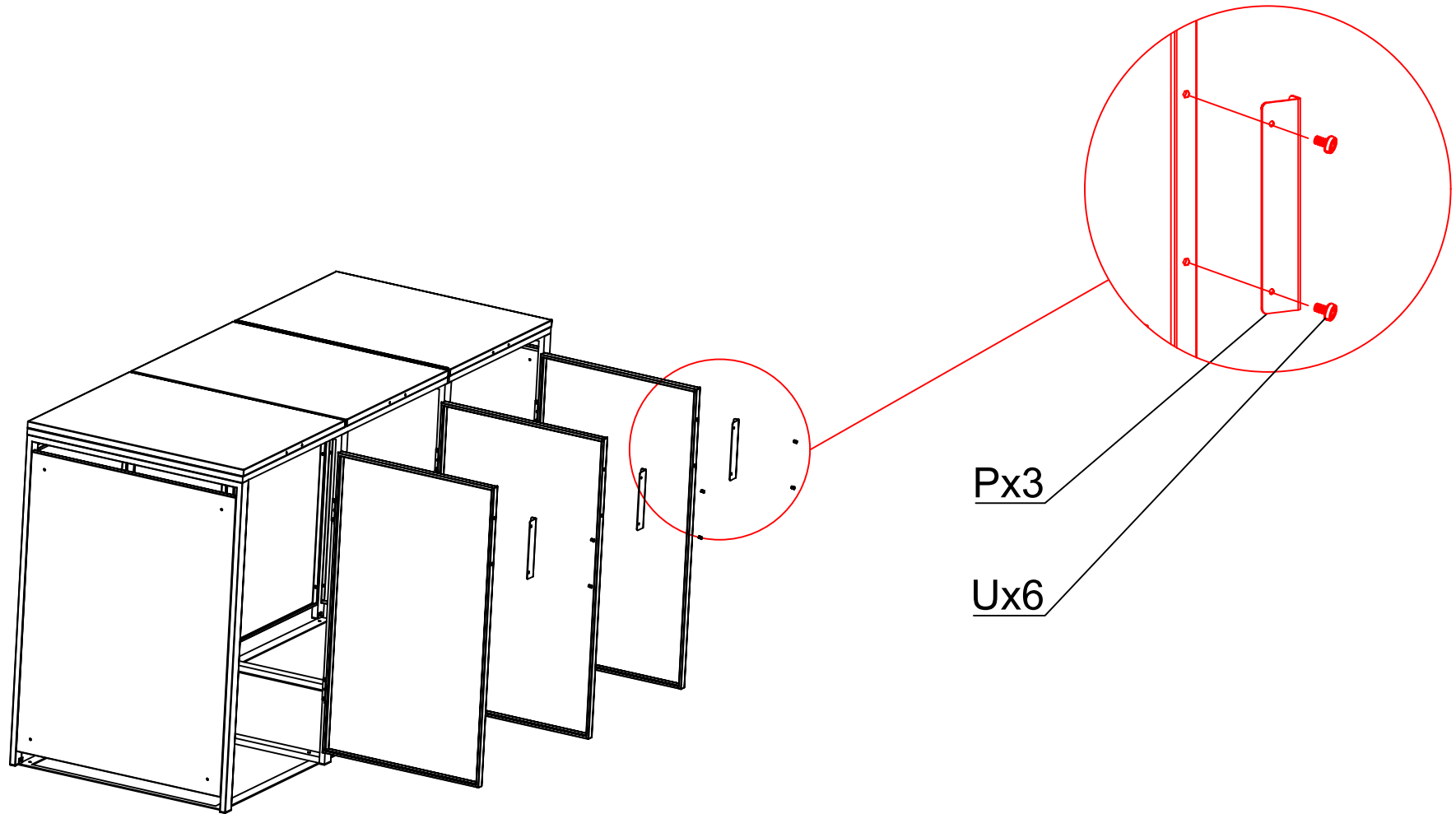
Wx15

Step-6

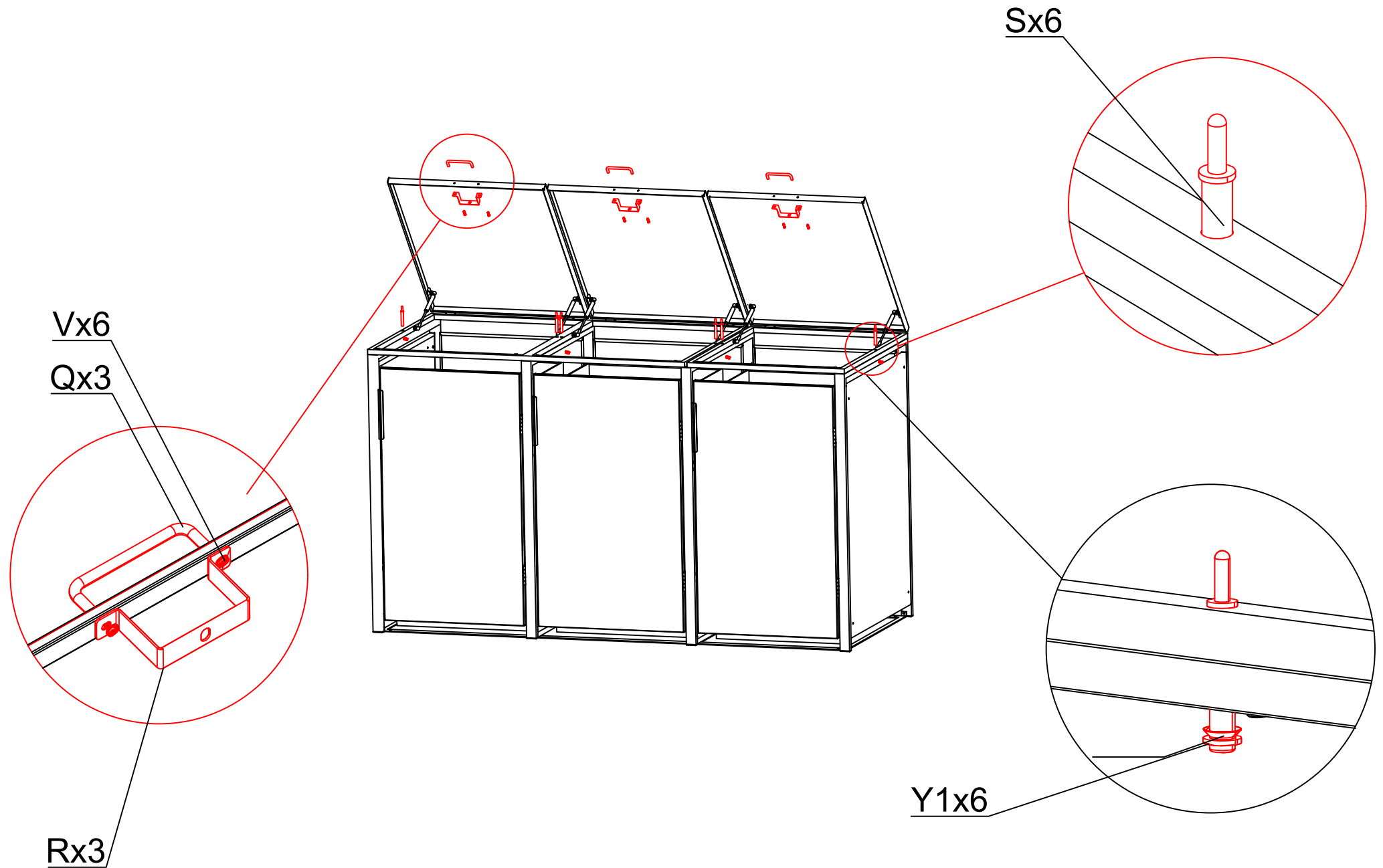


Ox6
Xx36

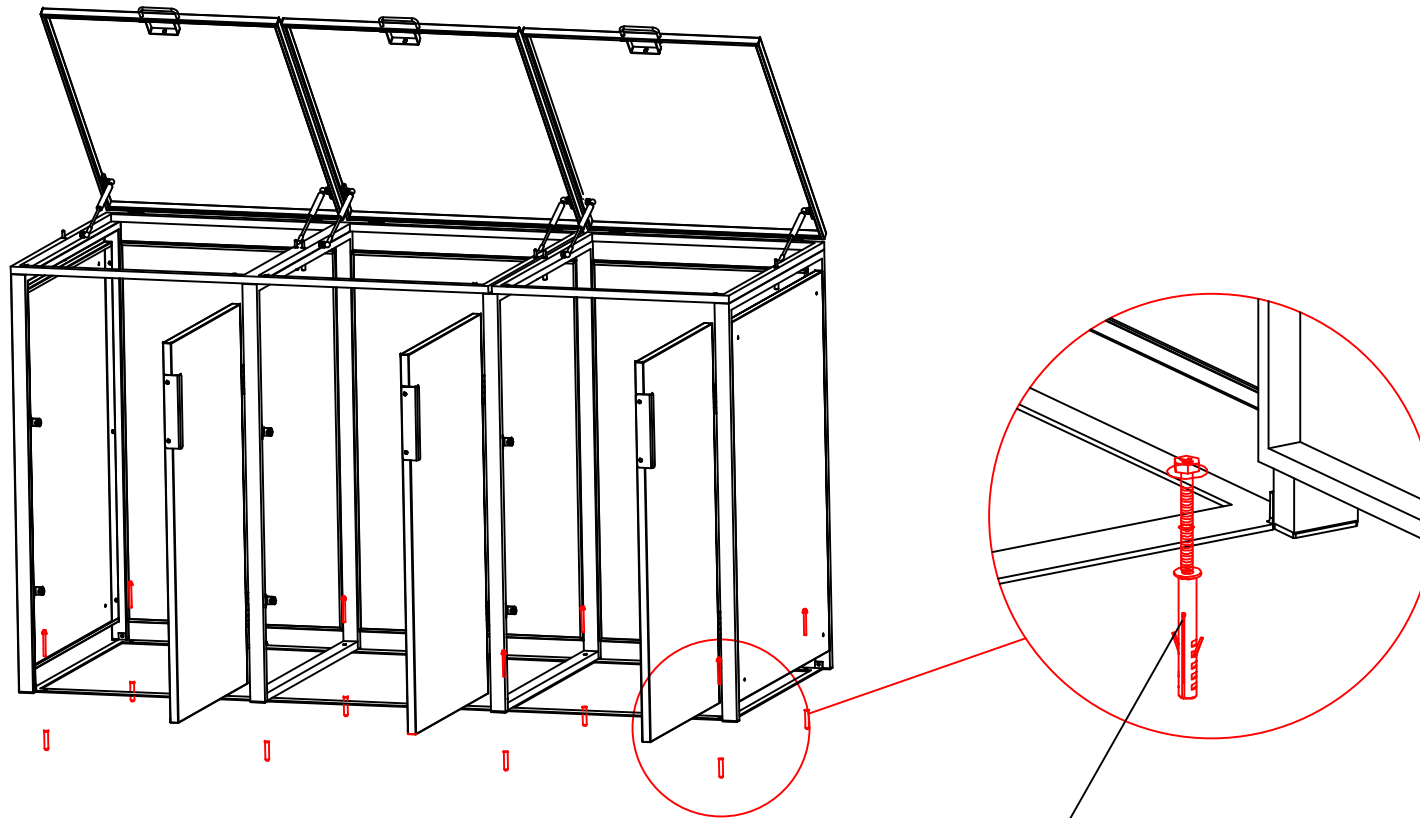
Step-7



Step-8



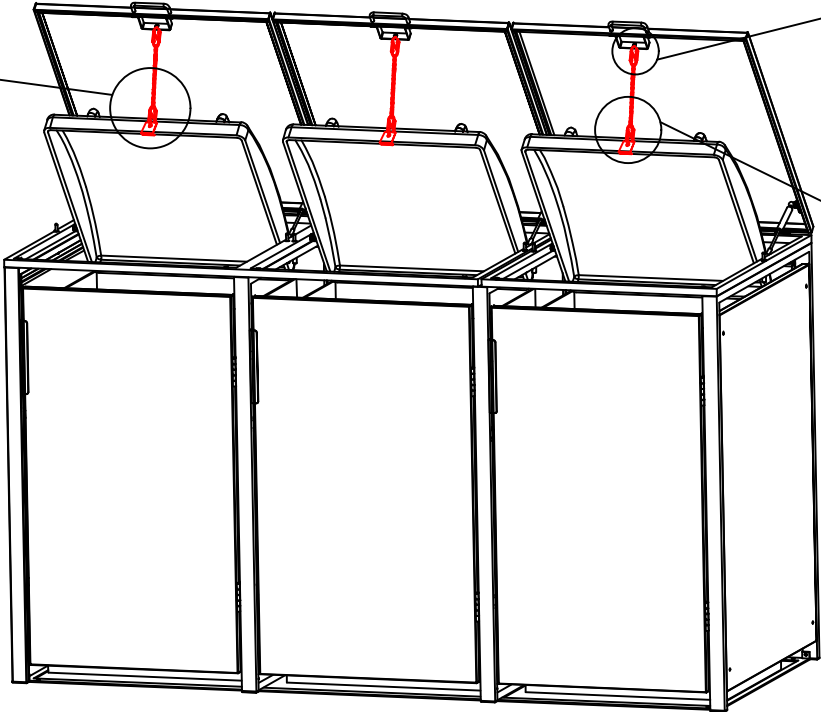
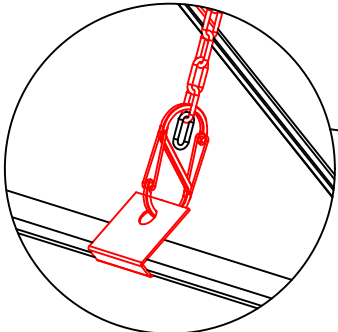
Step-9



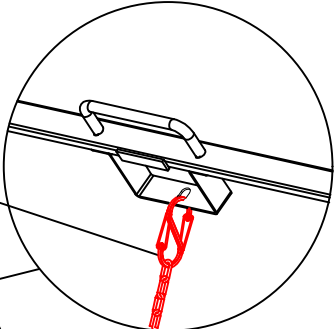
Tx8

Step-10

Attach the hook to the lid. Adjust the chain length to ensure it functions properly.



Yx3



D1x3

