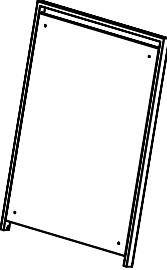
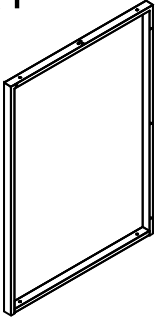
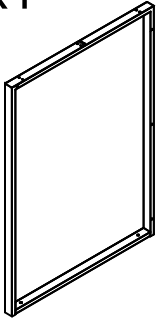
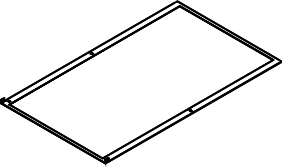
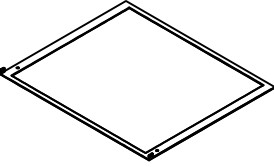
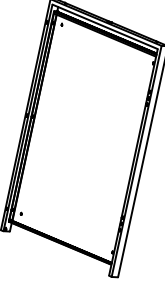
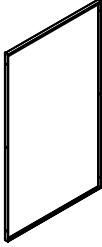

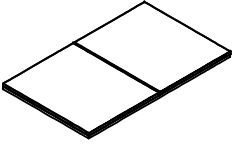
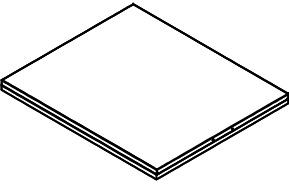
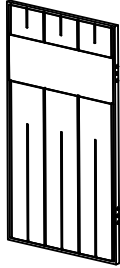
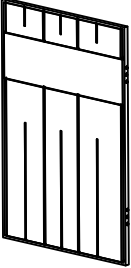
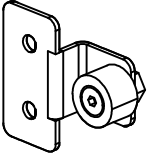
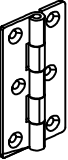
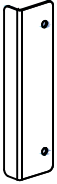
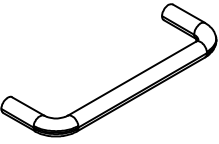
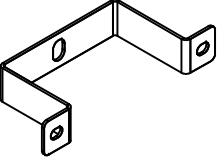




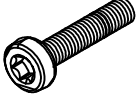
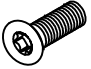
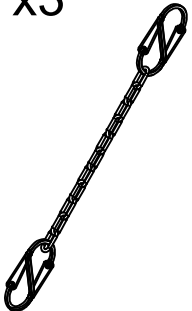
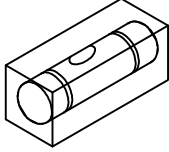
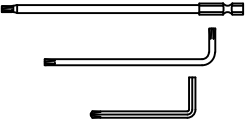

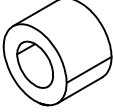

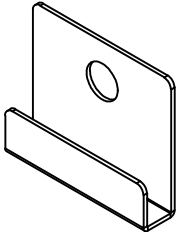
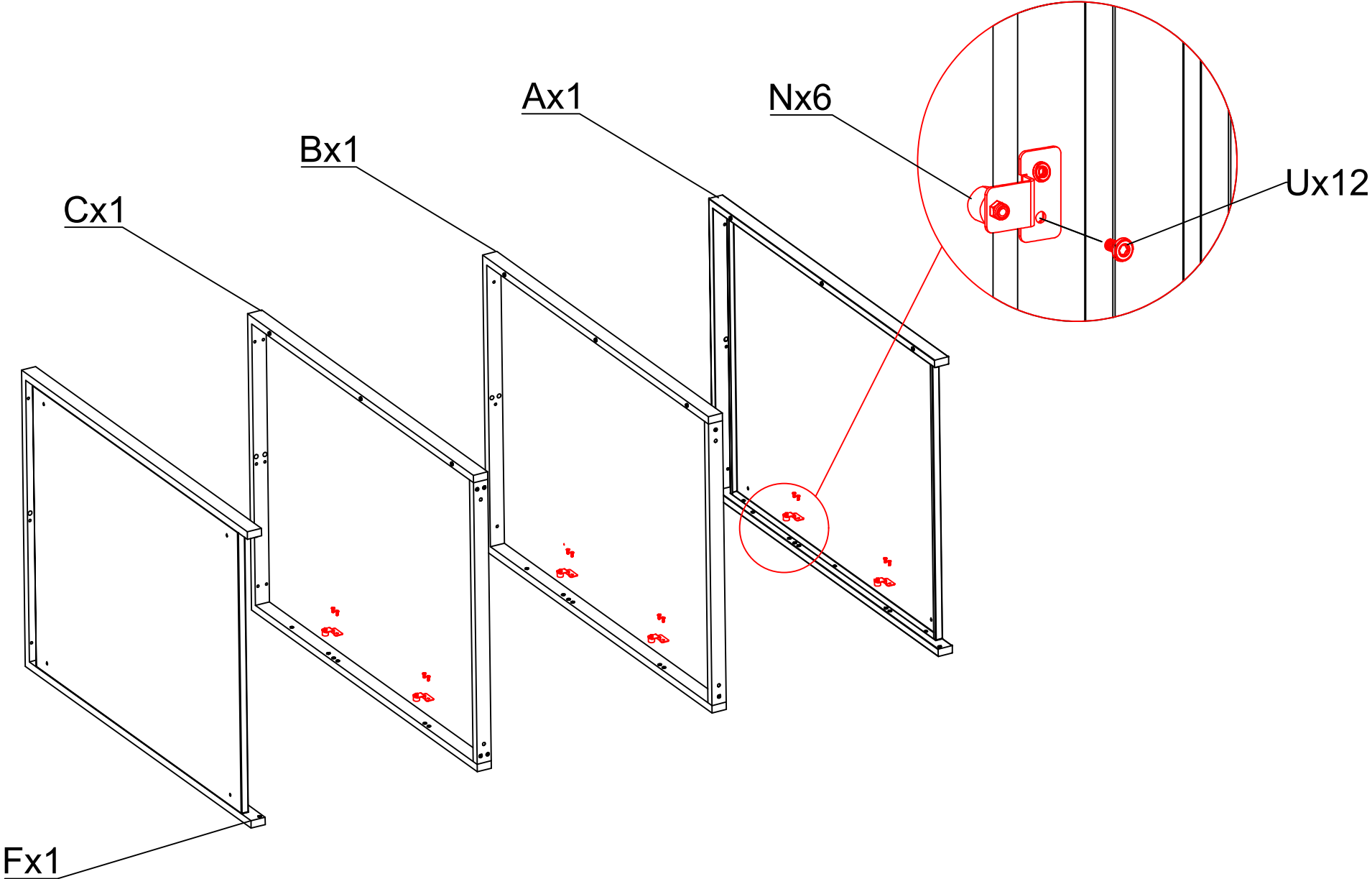


45min

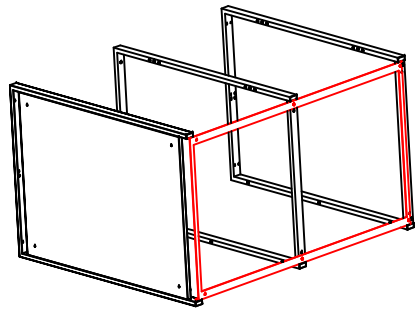
Ax1 	Bx1 	Cx1 	Dx1 	Ex1 	Fx1 	Gx2  1014*598*20mm	
Hx1  1014*623*20mm	Ix1 	Jx1 	Lx2  1014*580*22mm	Mx1  1014*605*22mm	Nx6 	Ox6 	
Px3 	Qx3 	Rx3 	Sx6 	Tx8 	Ux36  M4*10mm	Vx10  M4*20mm	Wx15  M4*30mm
Xx46  M4*12mm	Yx3 	Zx1 	A1x1 	B1x4 	C1x4 	Y1x6 	D1x3 

Note:When using an additional Supplementary element,please use part V,B1,C1

Step-1



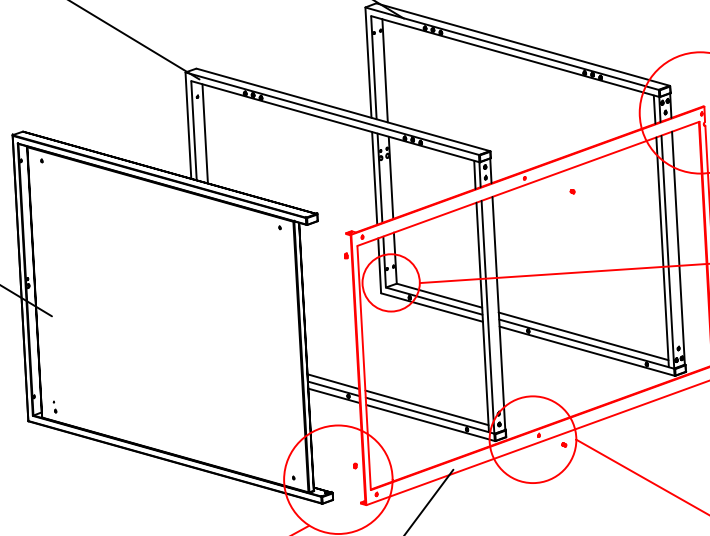
# Step-2



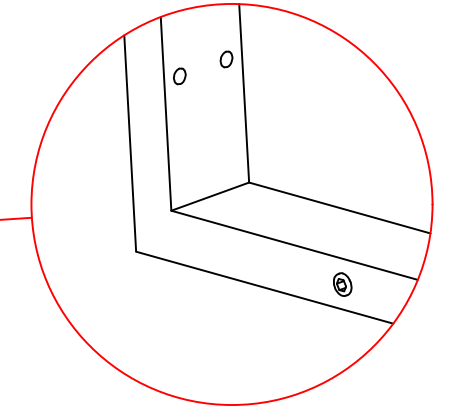
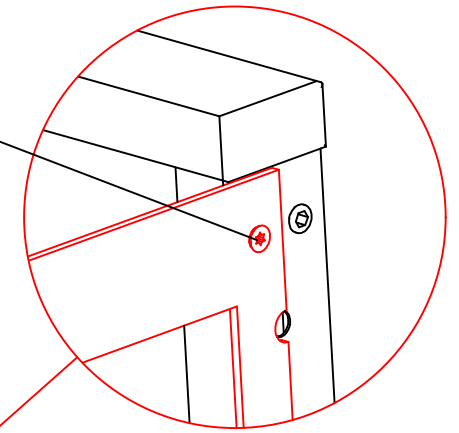
Bx1

Cx1

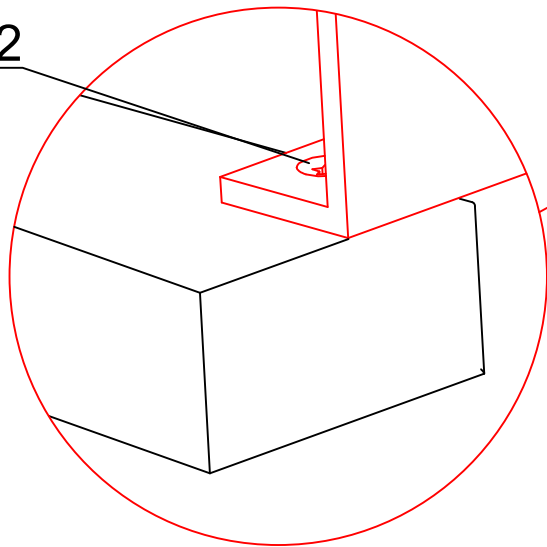
Ax1



Xx2

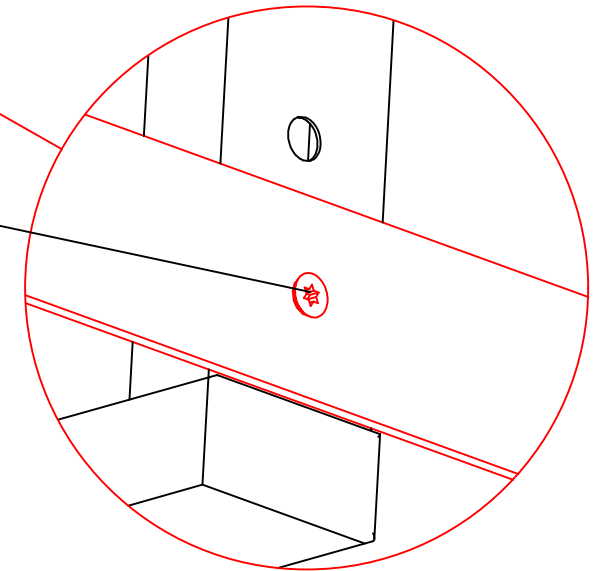


Xx2

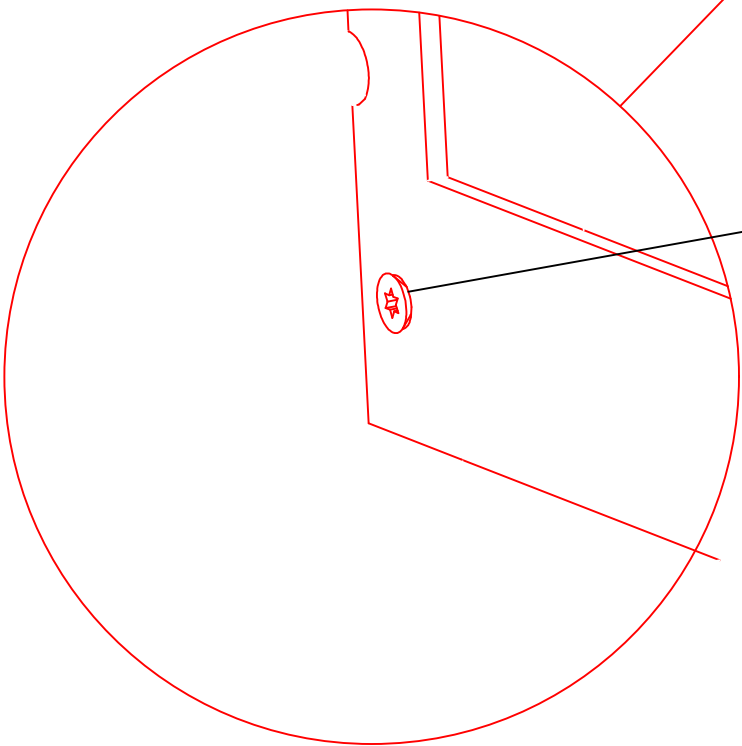
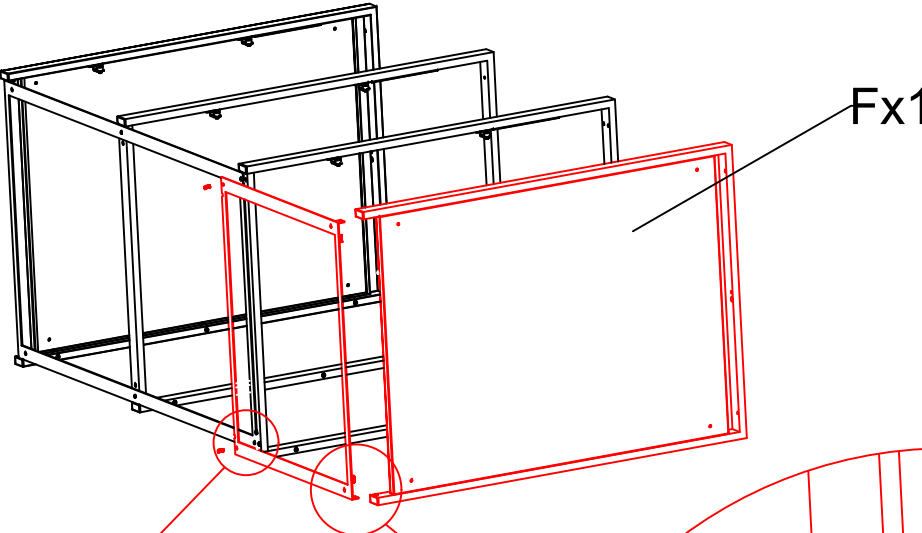
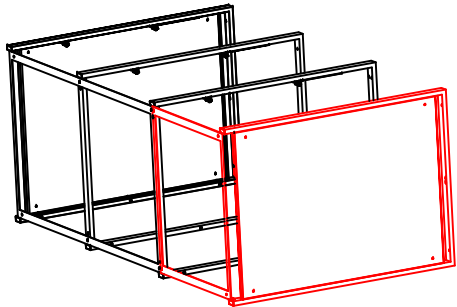


Dx1

Xx2

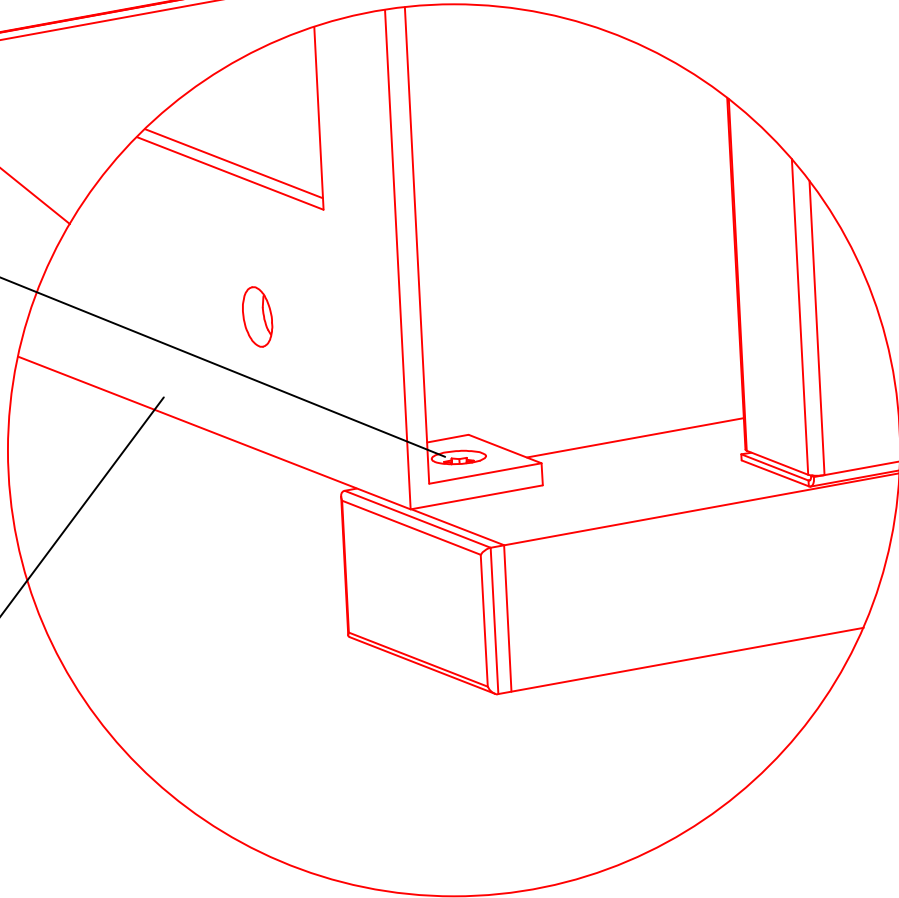


Step-3



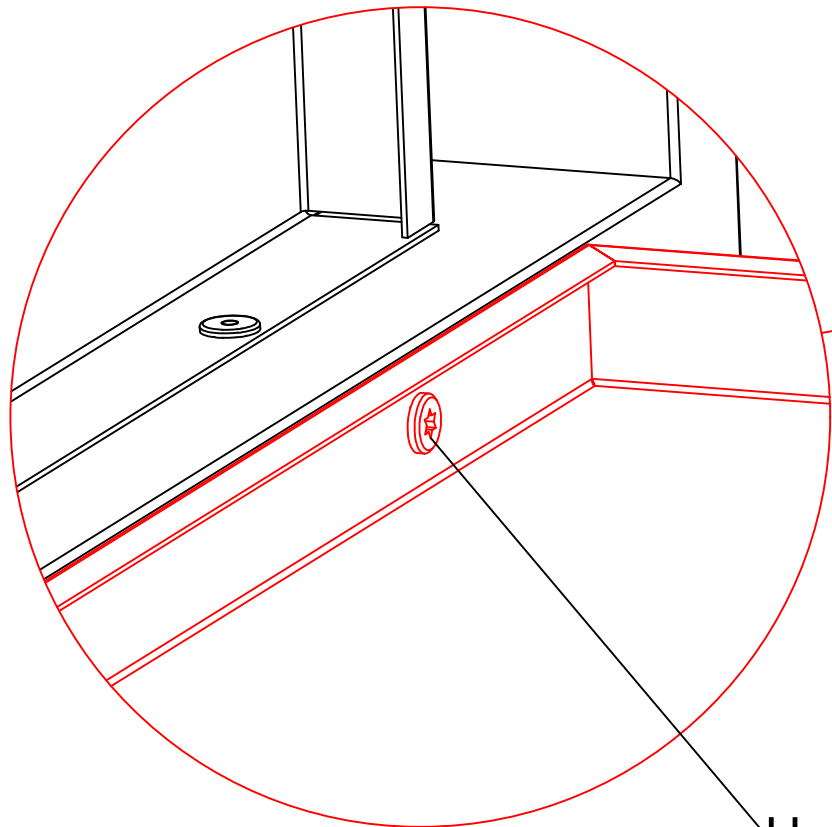
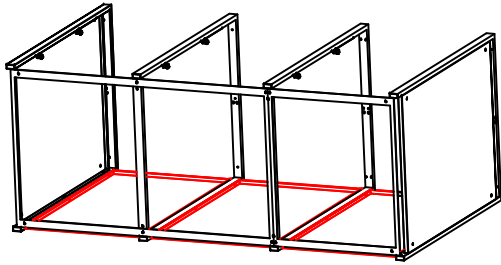
Xx2

Xx2

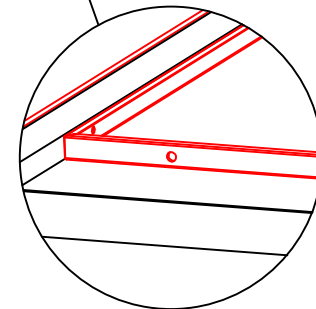
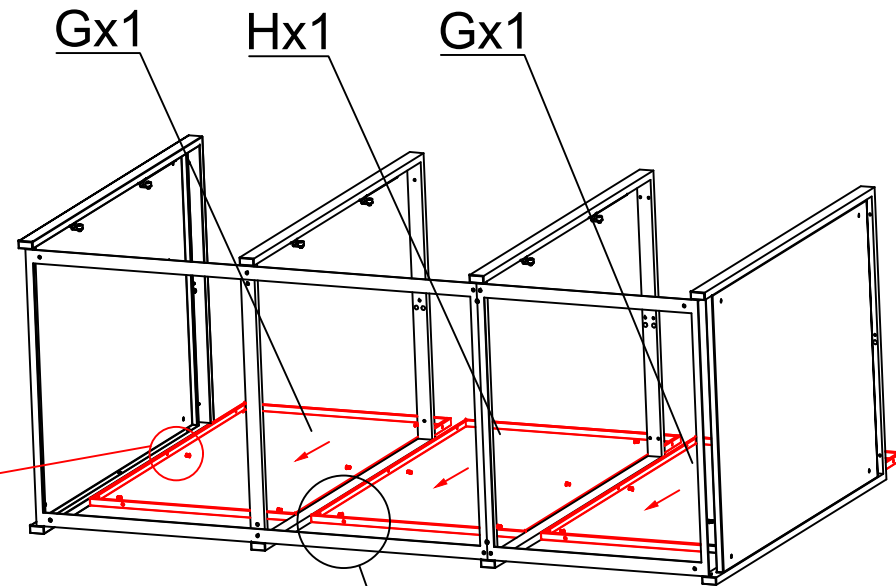


Ex1

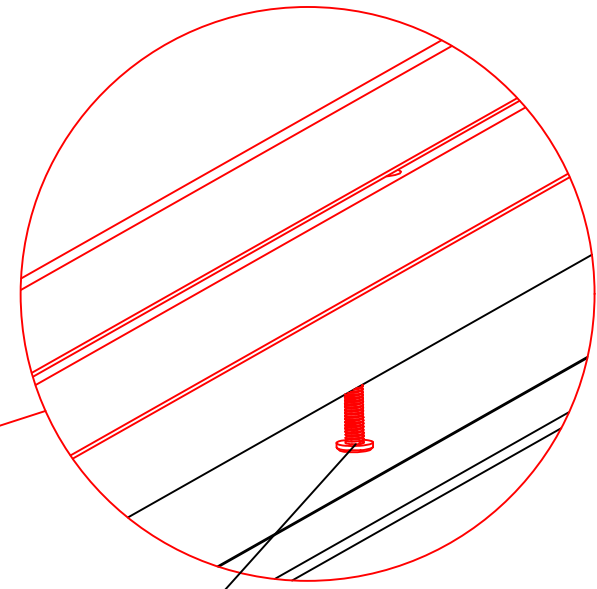
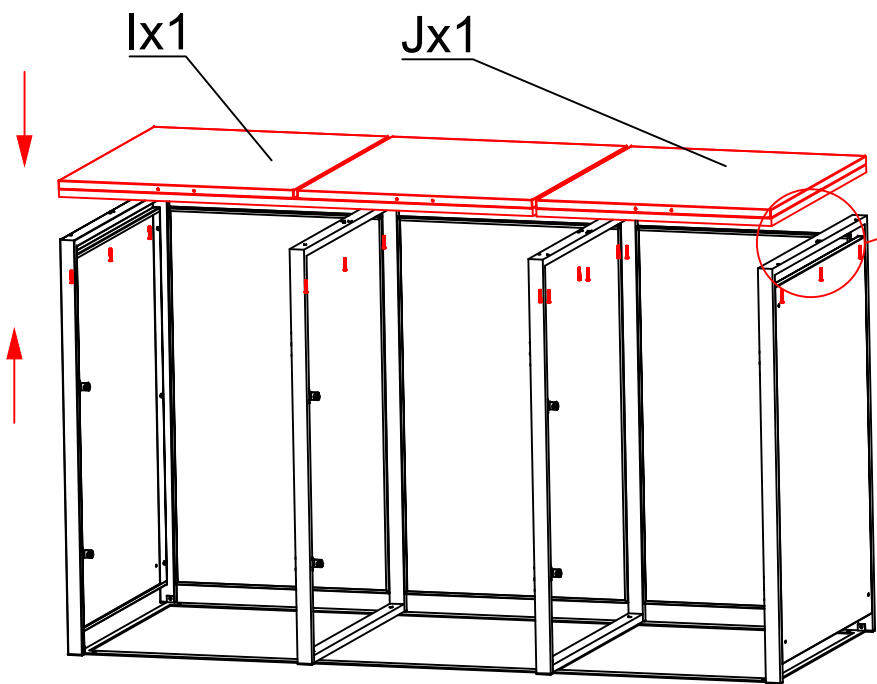
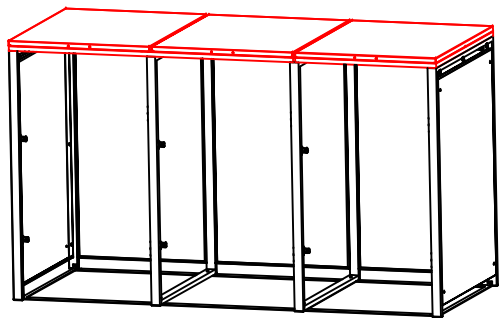
# Step-4



Ux18

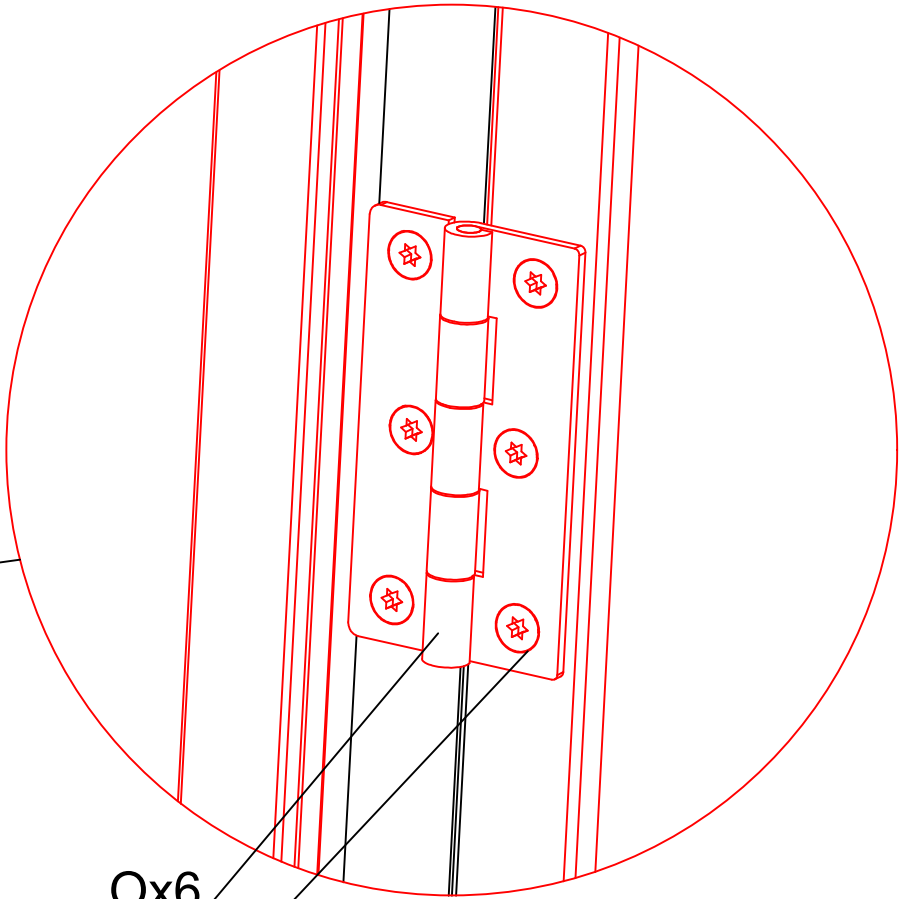
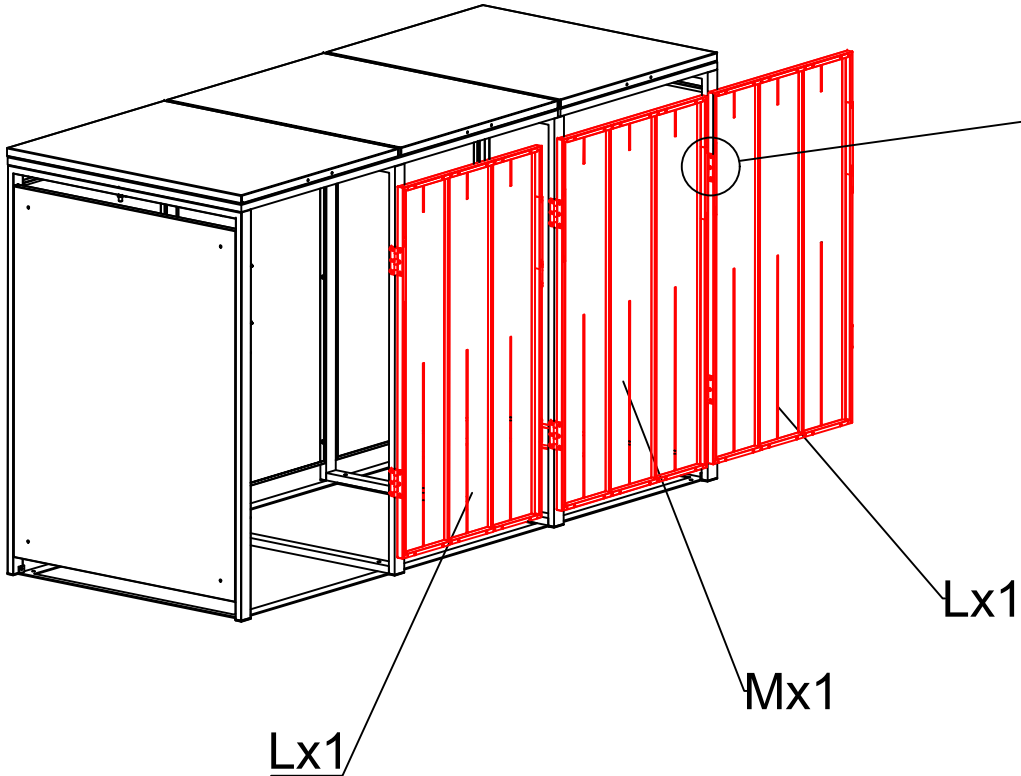
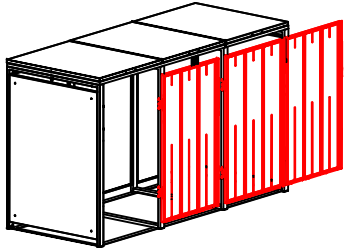


# Step-5



Wx15

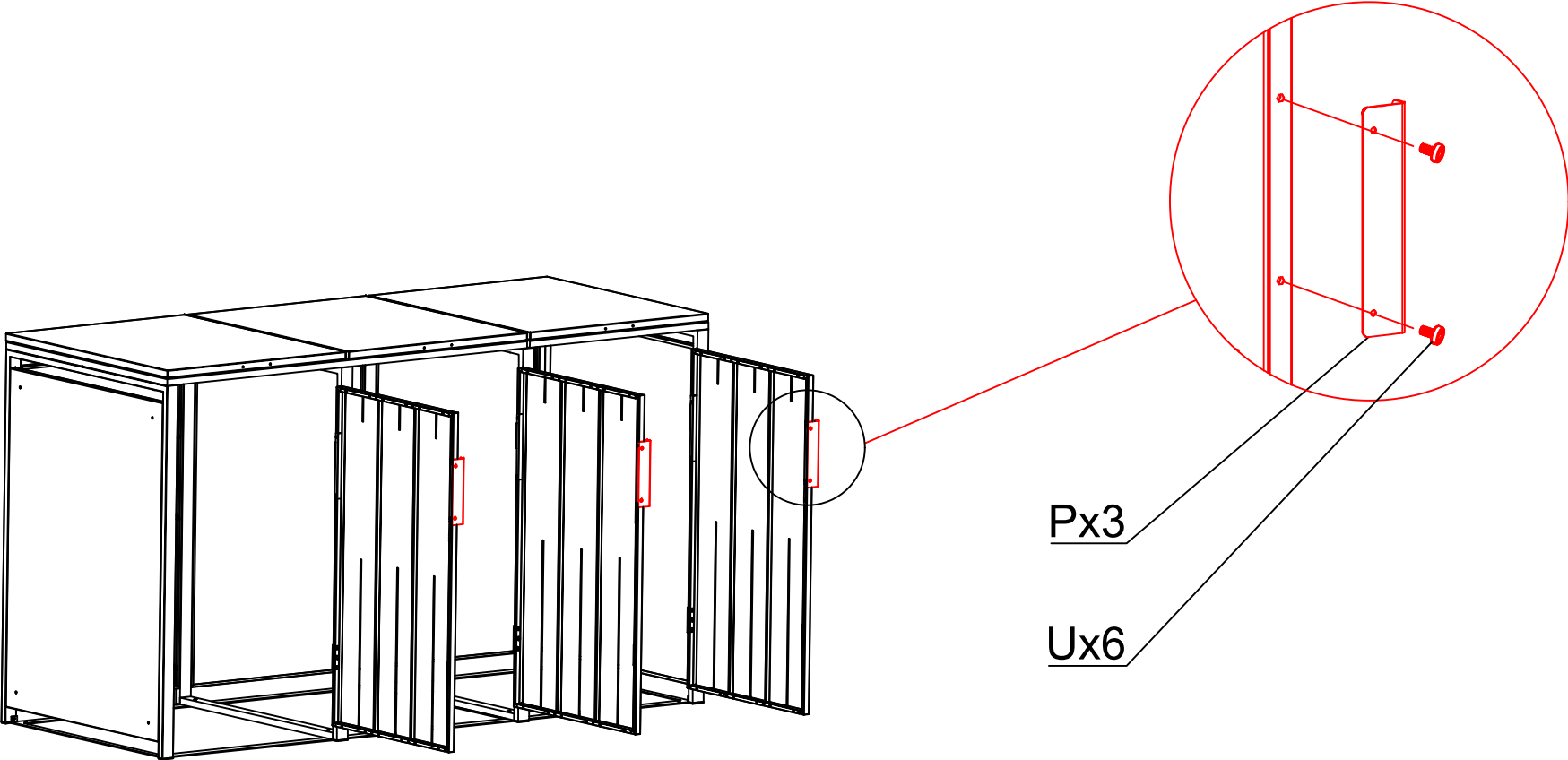
Step-6



Ox6

Xx36

Step-7



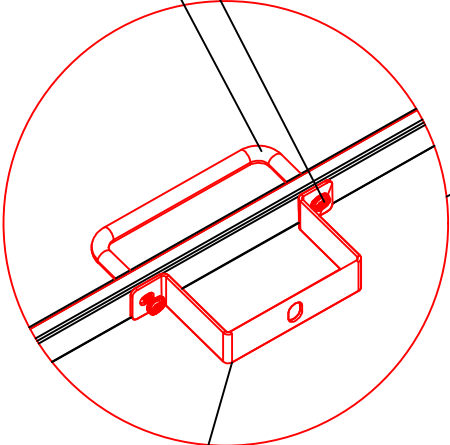
Px3

Ux6

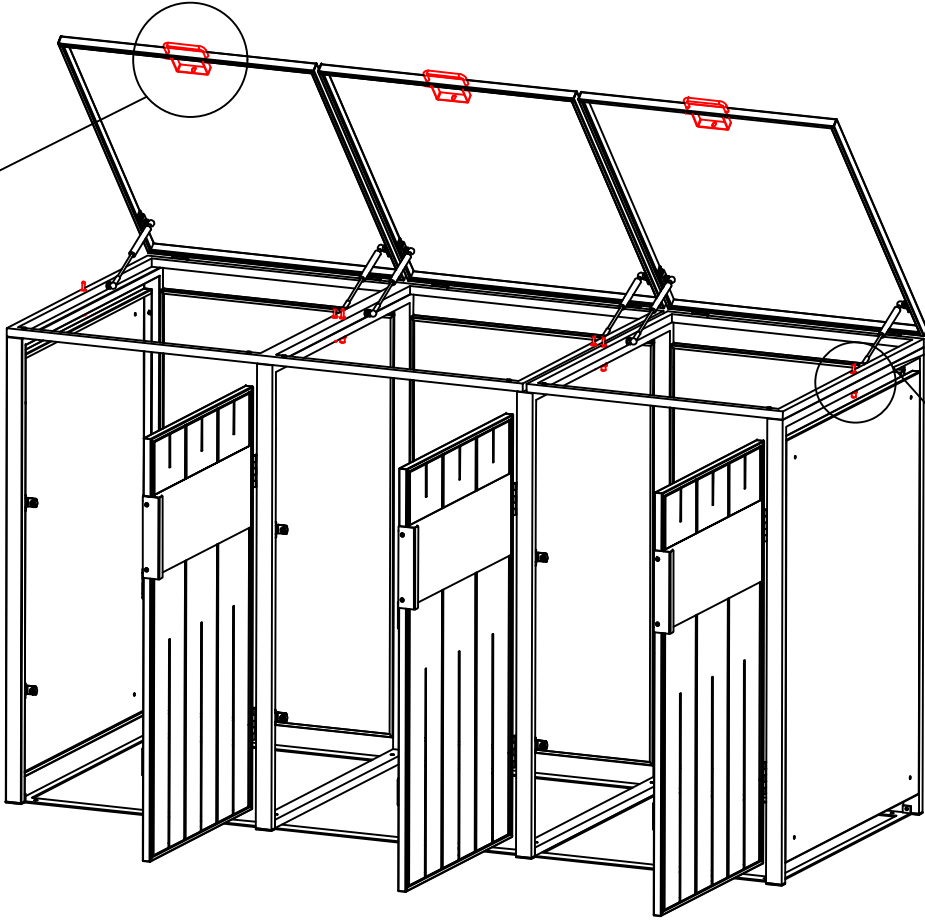
Step-8

Vx6

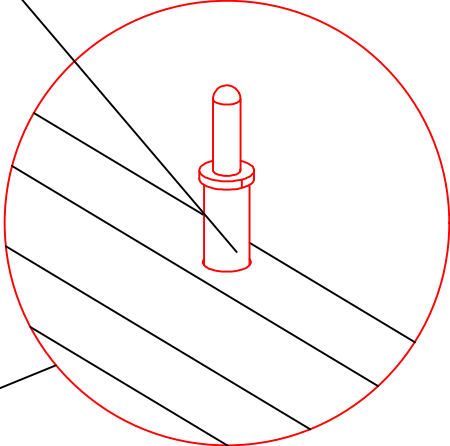
Qx3



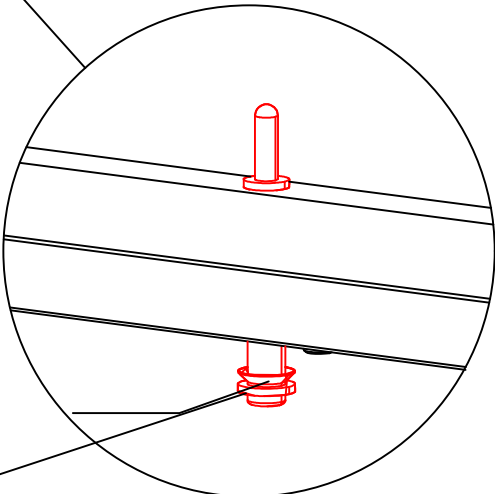
Rx3



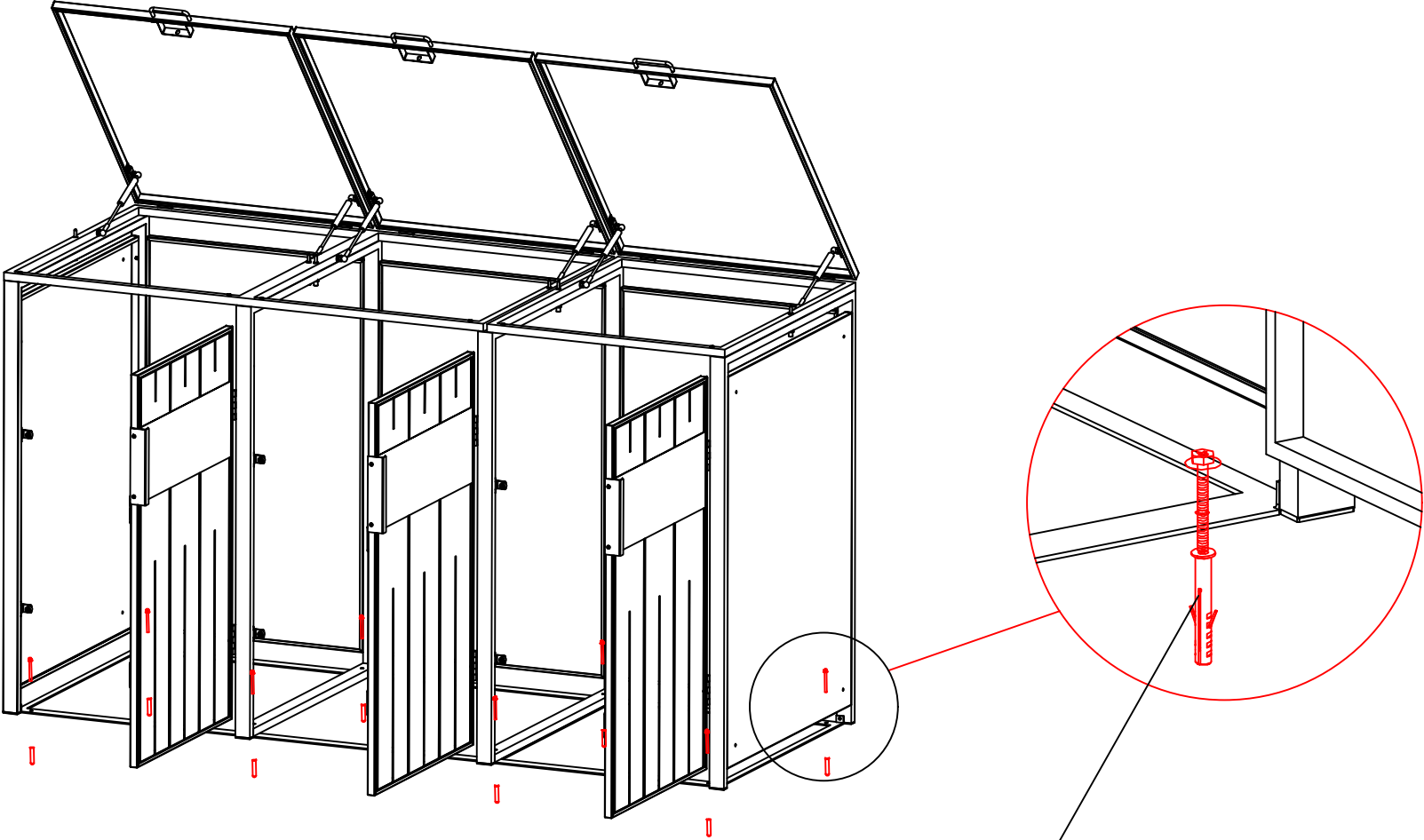
Sx6



Y1x6



Step-9



Tx8

# Step-10

Attach the hook to the lid. Adjust the chain length to ensure it functions properly.

