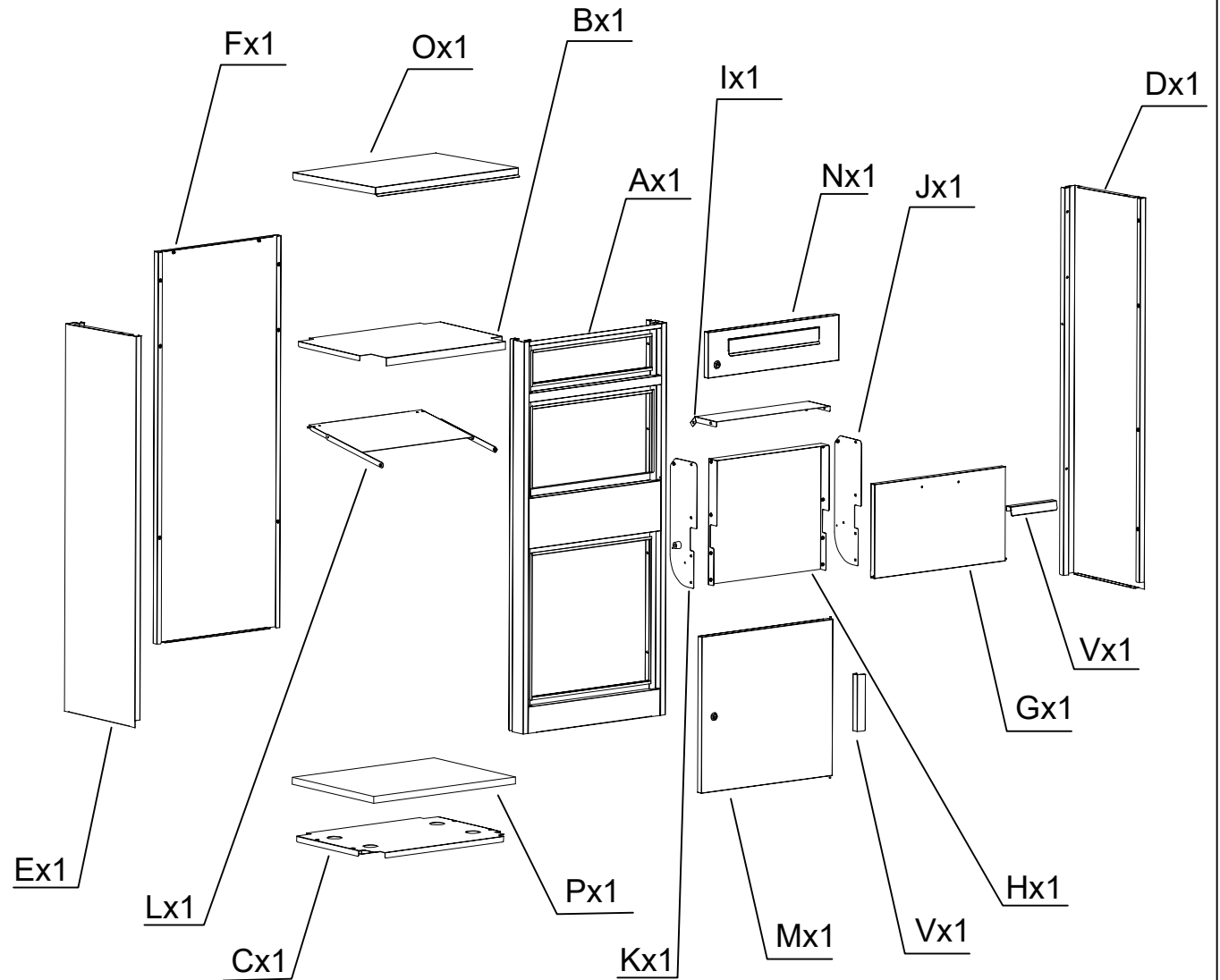
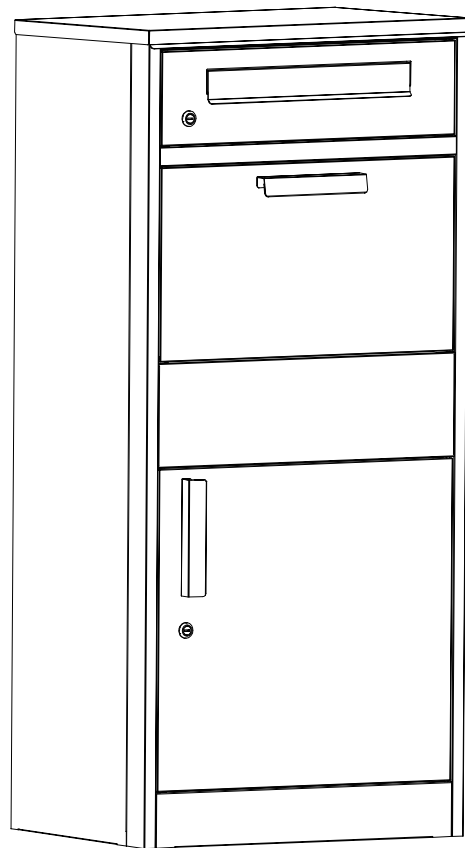
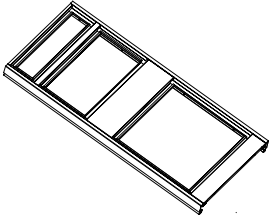
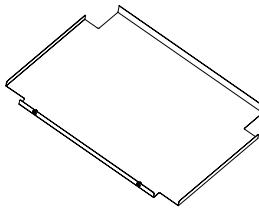
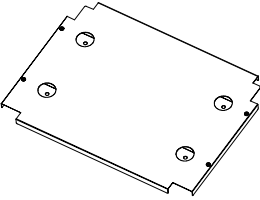
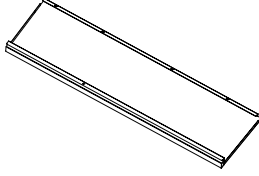
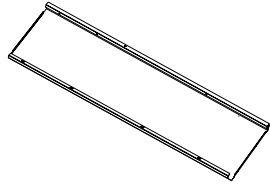
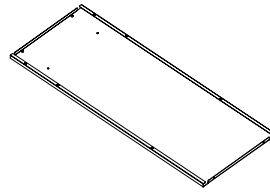
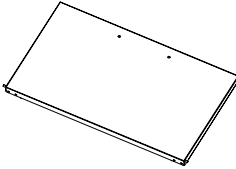
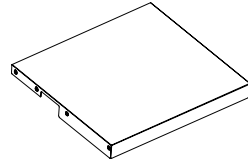
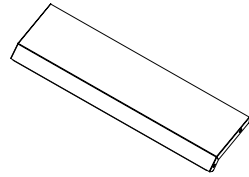
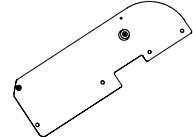
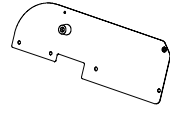
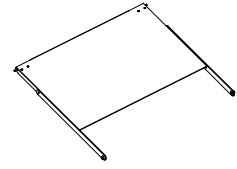
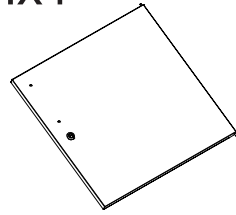
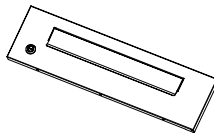
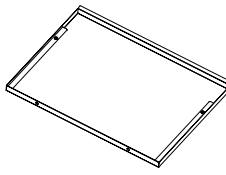
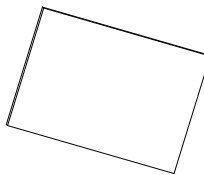
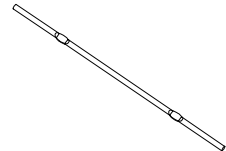


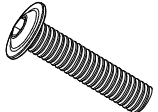
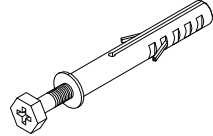
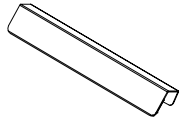

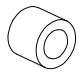




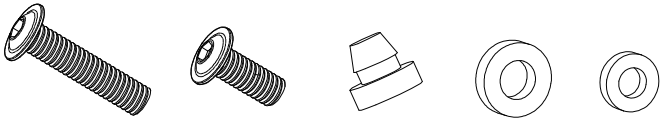
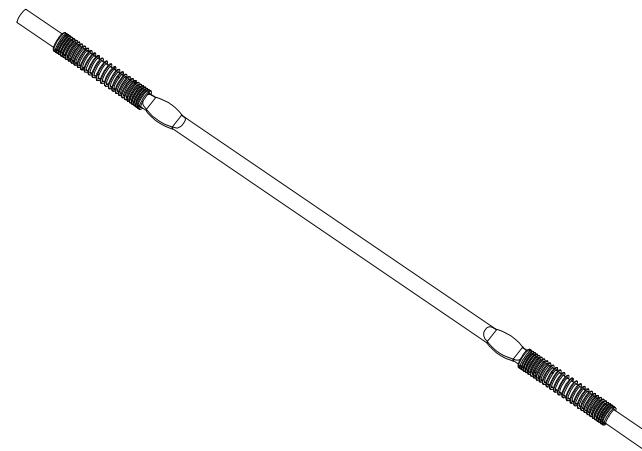
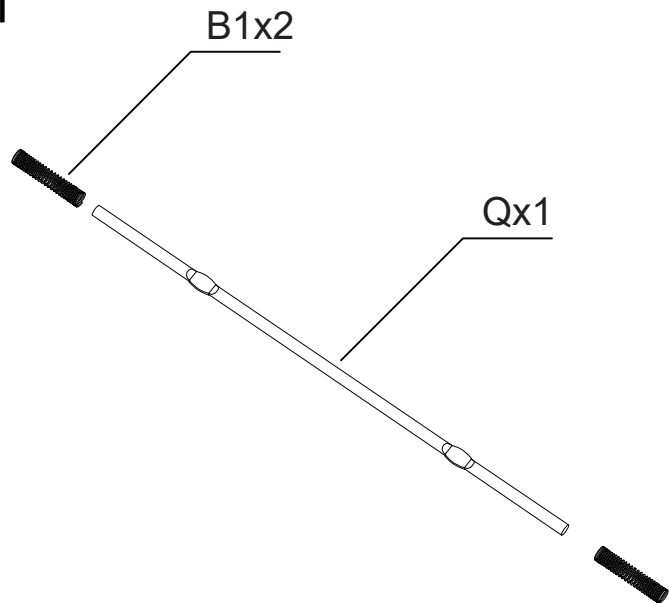


UMBAU MEISTER

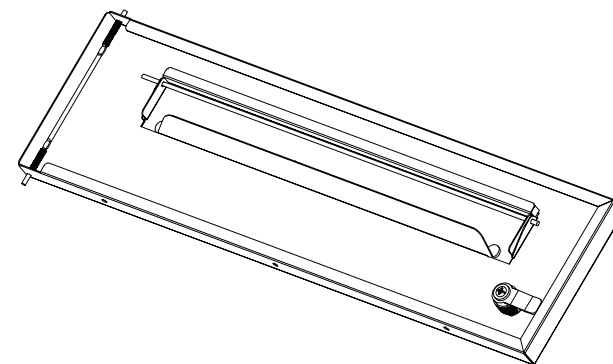
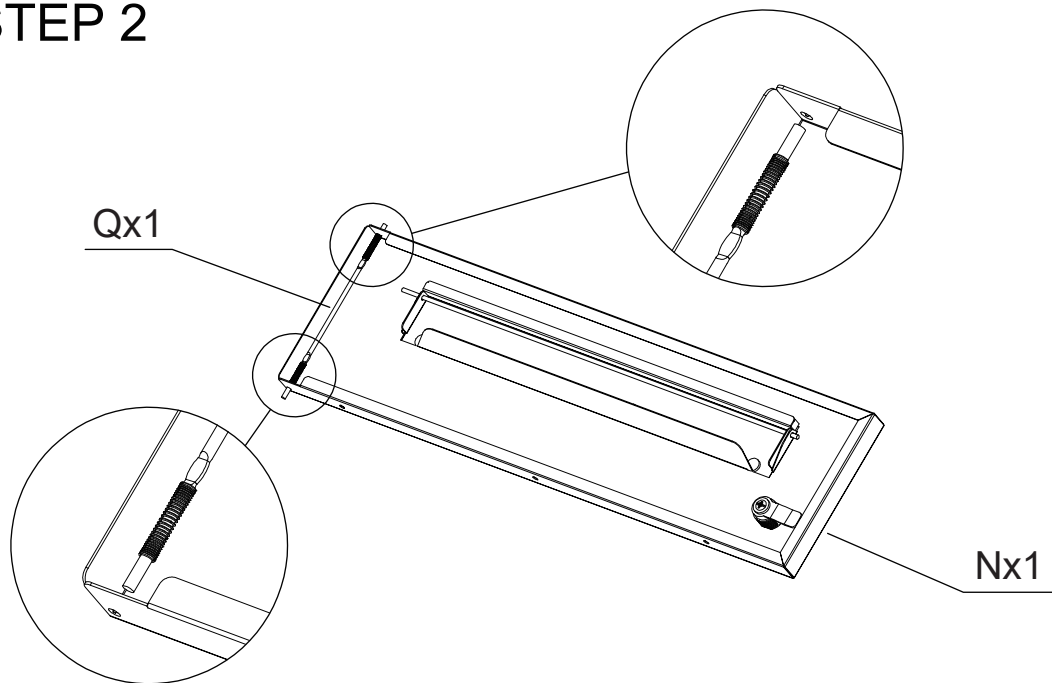


<p>Ax1</p> 	<p>Bx1</p> 	<p>Cx1</p> 	<p>Dx1</p> 	<p>Ex1</p> 	<p>Fx1</p> 
<p>Gx1</p> 	<p>Hx1</p> 	<p>Ix1</p> 	<p>Jx1</p> 	<p>Kx1</p> 	<p>Lx1</p> 
<p>Mx1</p> 	<p>Nx1</p> 	<p>Ox1</p> 	<p>Px1</p> 	<p>Qx1</p> 	<p>Rx32</p>  <p>M4x10mm</p>
<p>Sx4</p>  <p>Ø4.2xØ7*2</p>	<p>Tx4</p>  <p>M4x16mm</p>	<p>Ux4</p> 	<p>Vx2</p> 	<p>Wx4</p>  <p>M4x8mm</p>	<p>Xx2</p>  <p>Ø4.2xØ7*7</p>
<p>Yx4</p>  <p>M4</p>	<p>Zx1</p> 	<p>B1x2</p> 	<p>C1x4</p>  <p>Ø5.2xØ7*2</p>	<p>SPARE PART</p>  <p>X2 X2 X2 X2 X2</p>	

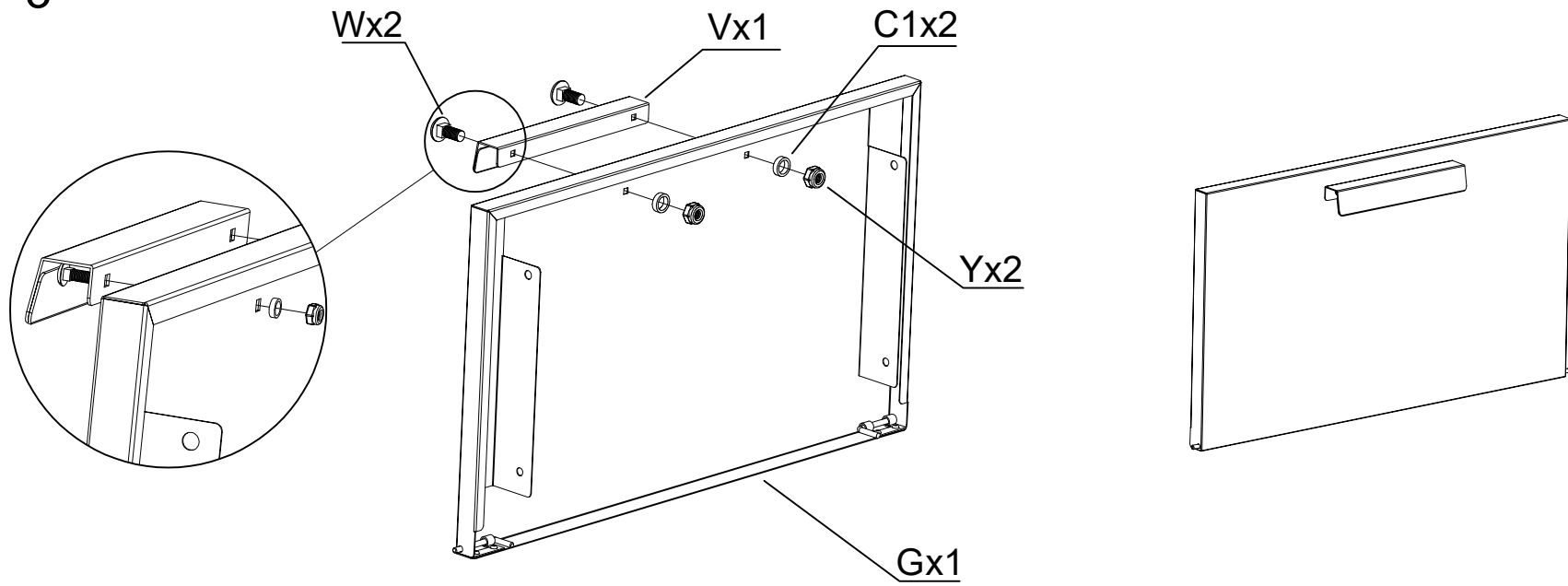
STEP 1



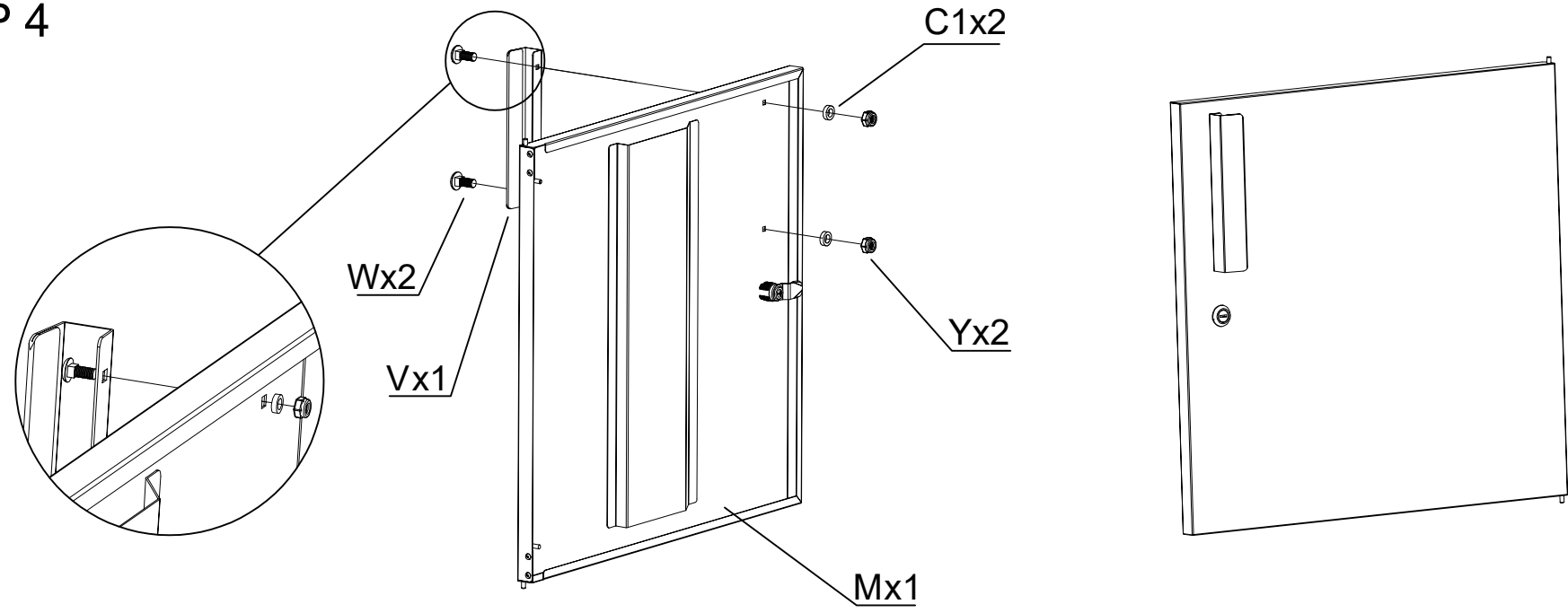
STEP 2



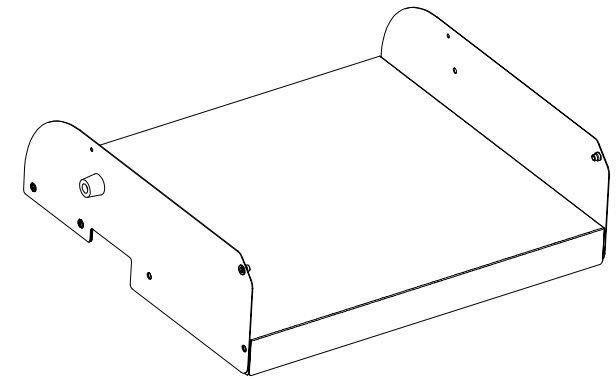
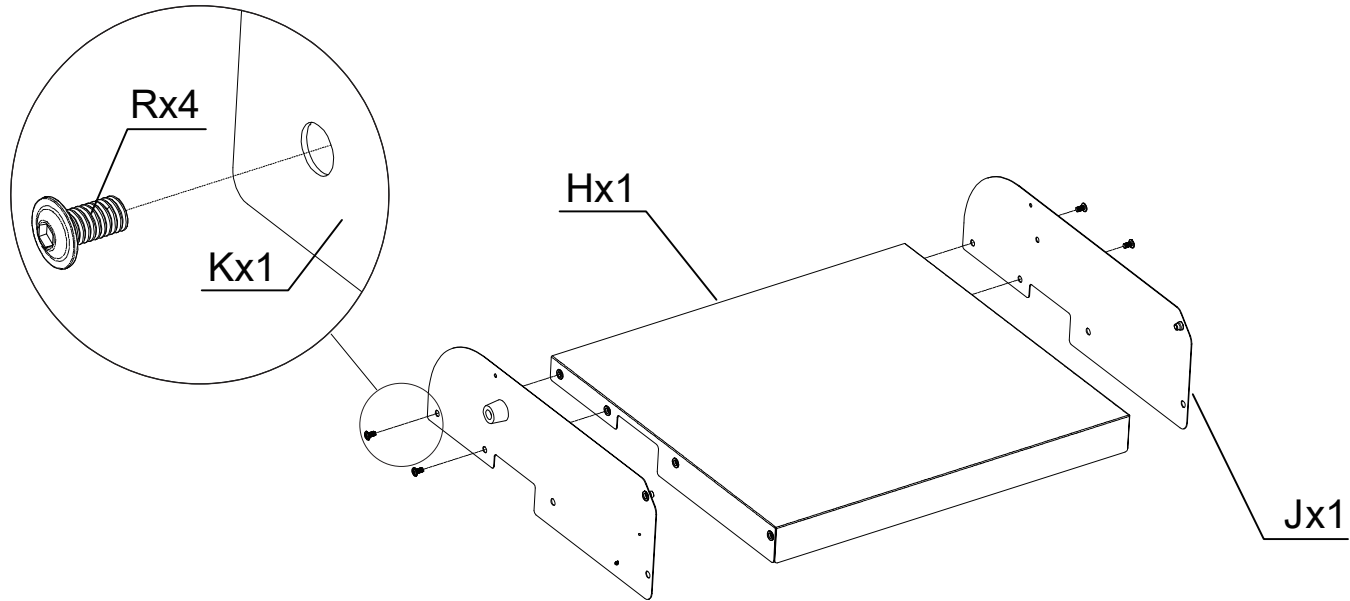
STEP 3



STEP 4

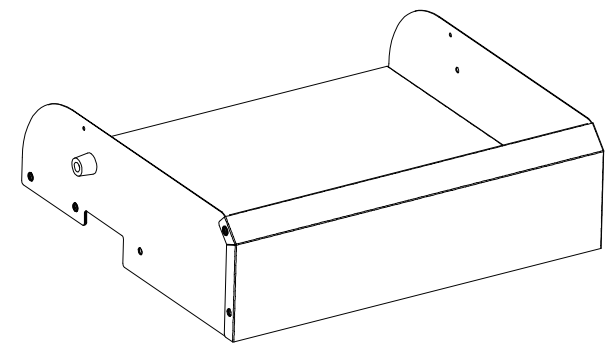
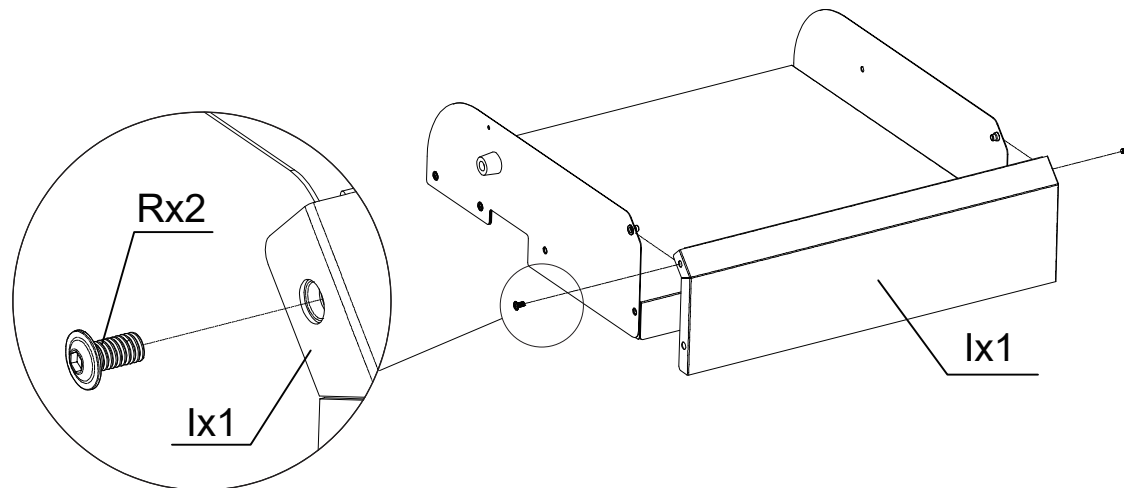


STEP 5

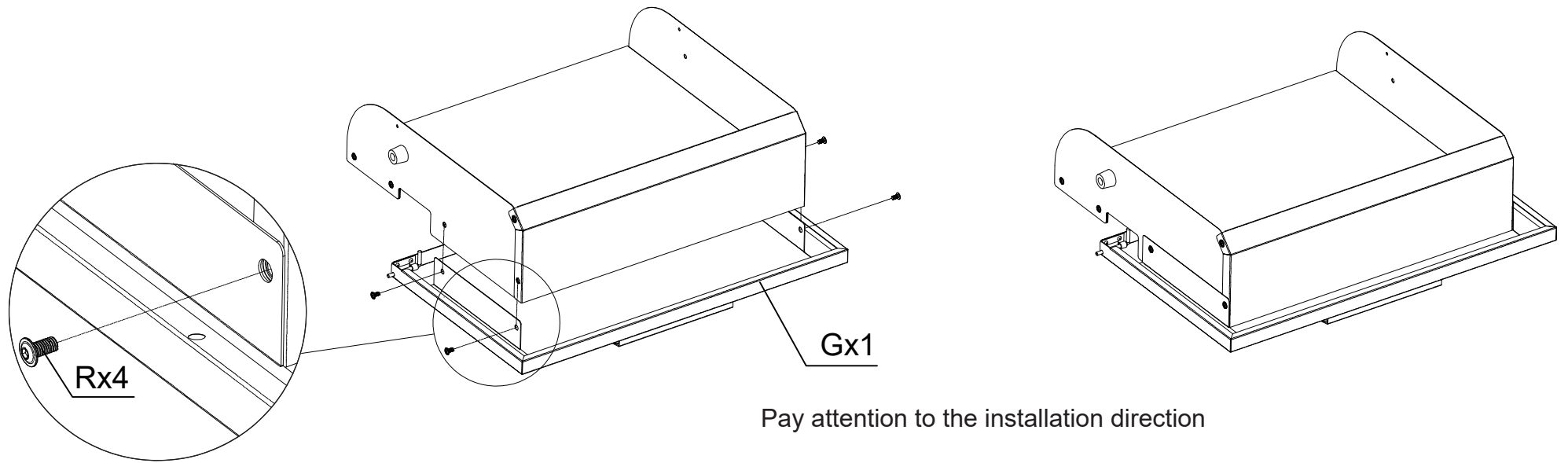


Do not tighten the screws yet.
After all the screws are locked,
tighten all the screws.

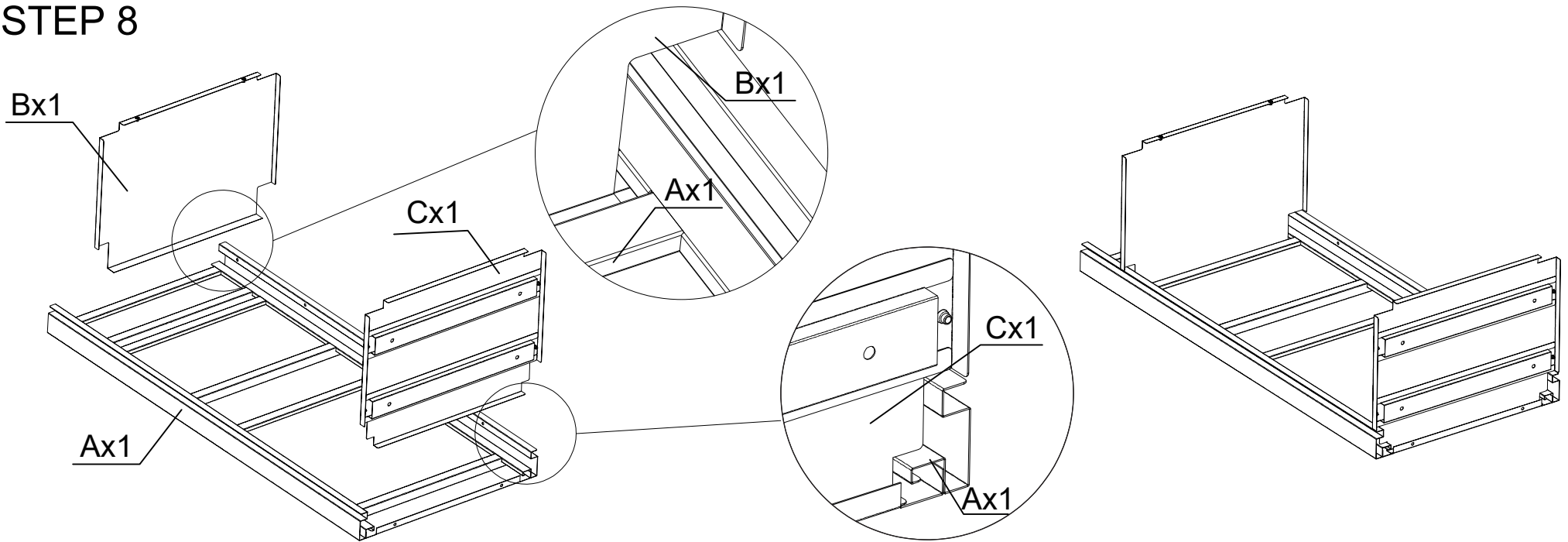
STEP 6



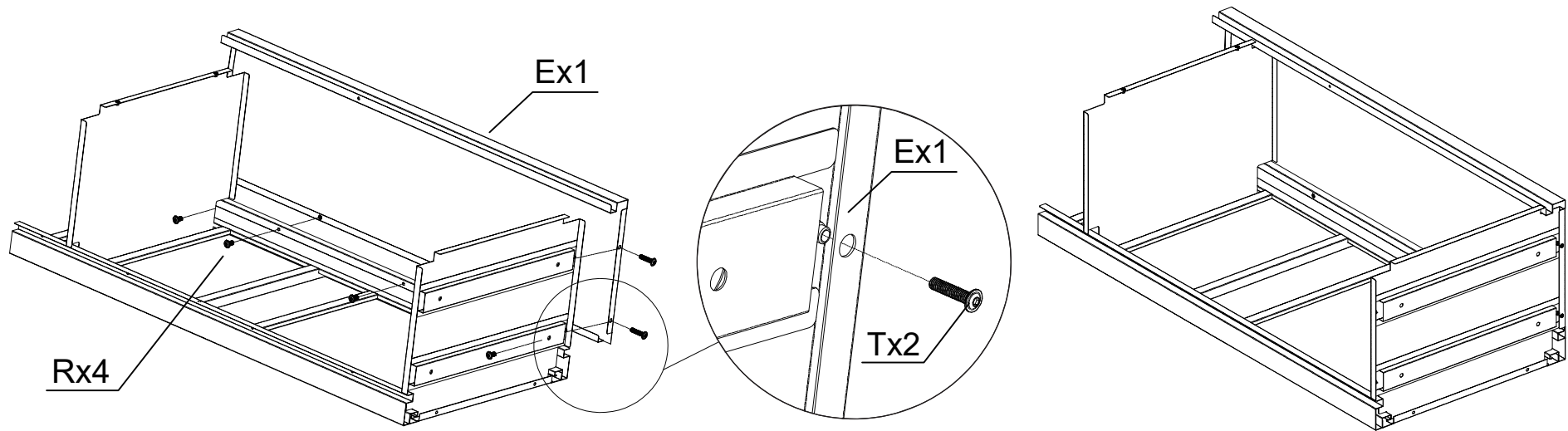
STEP 7



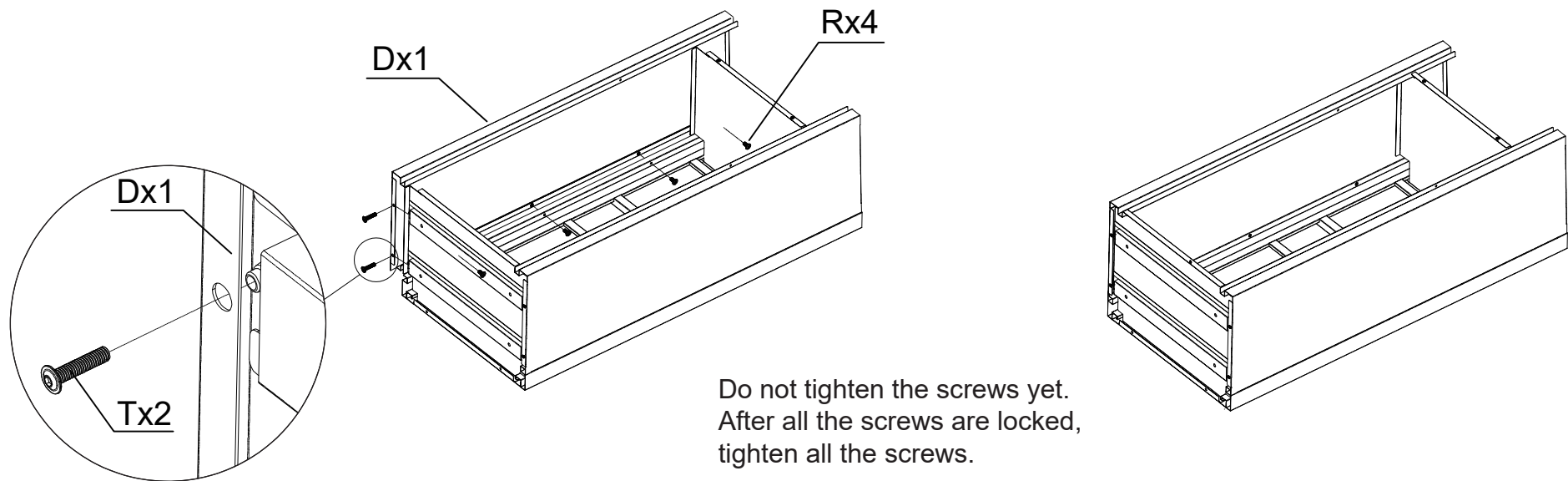
STEP 8



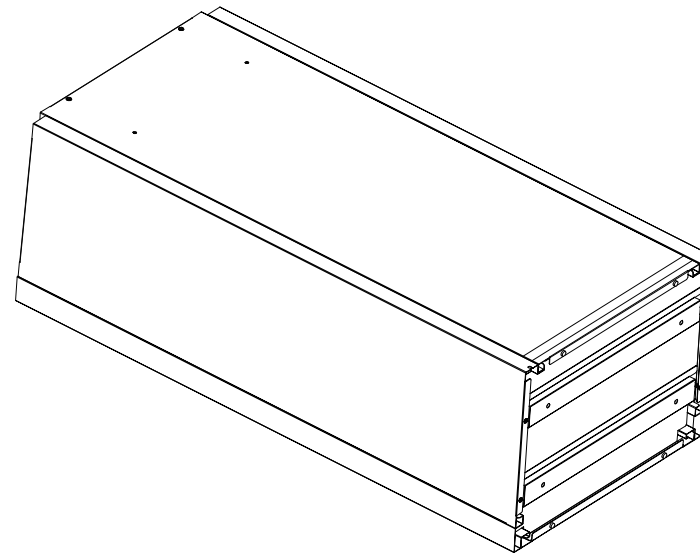
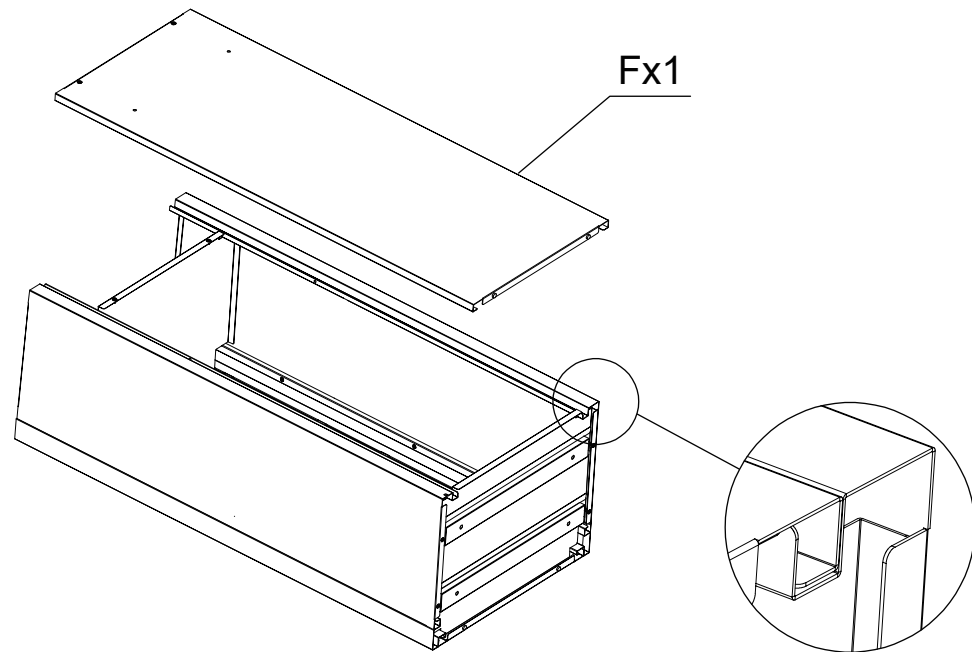
STEP 9



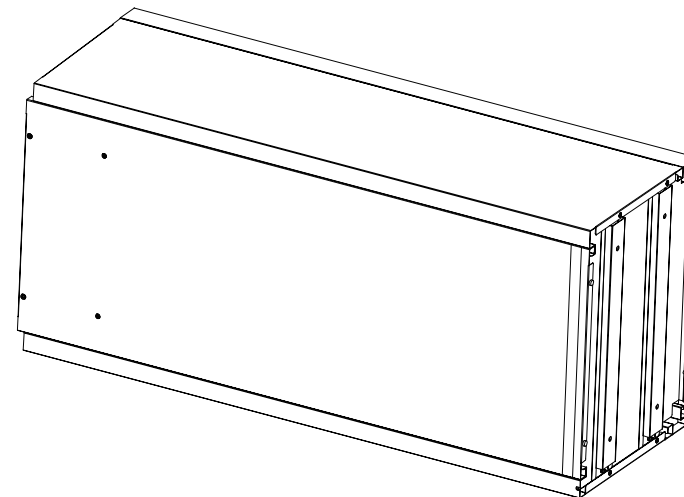
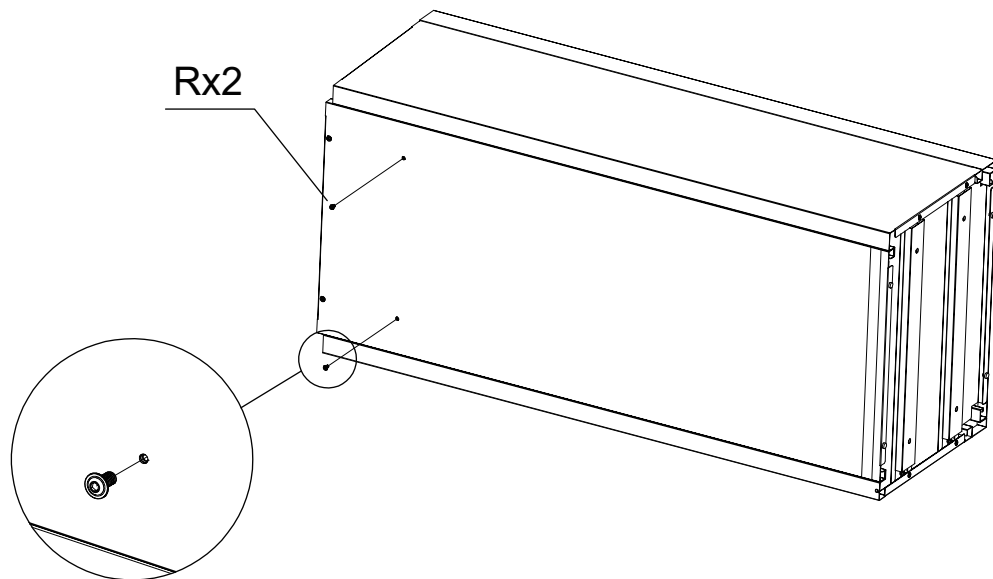
STEP 10



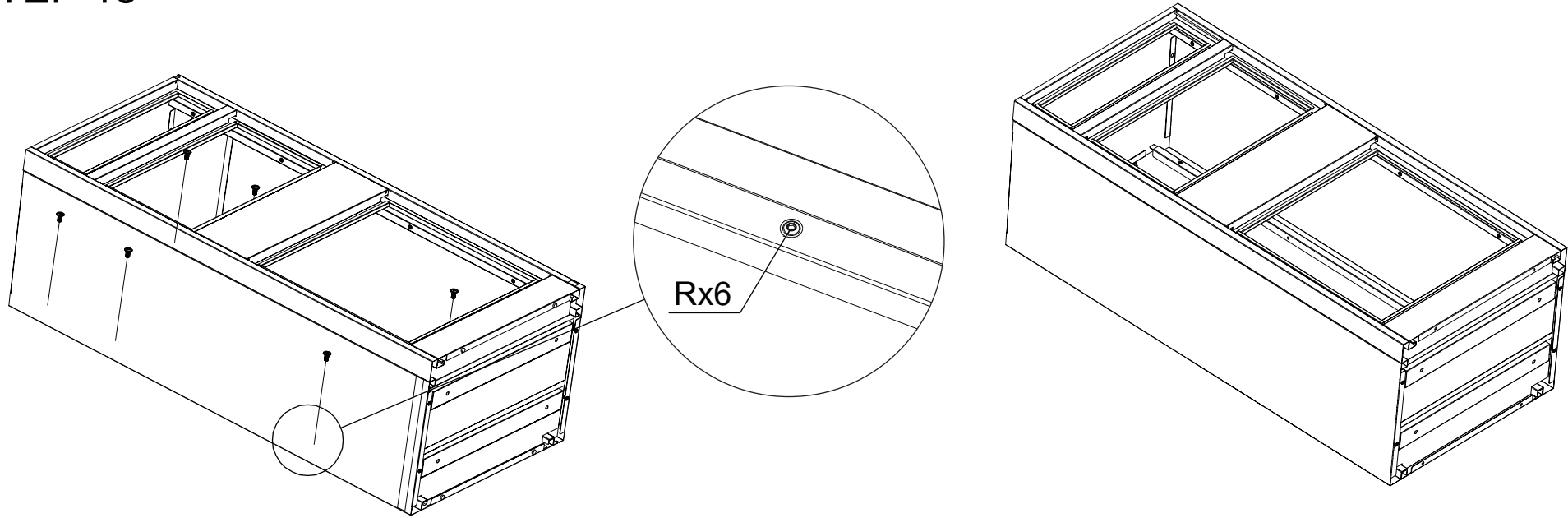
STEP 11



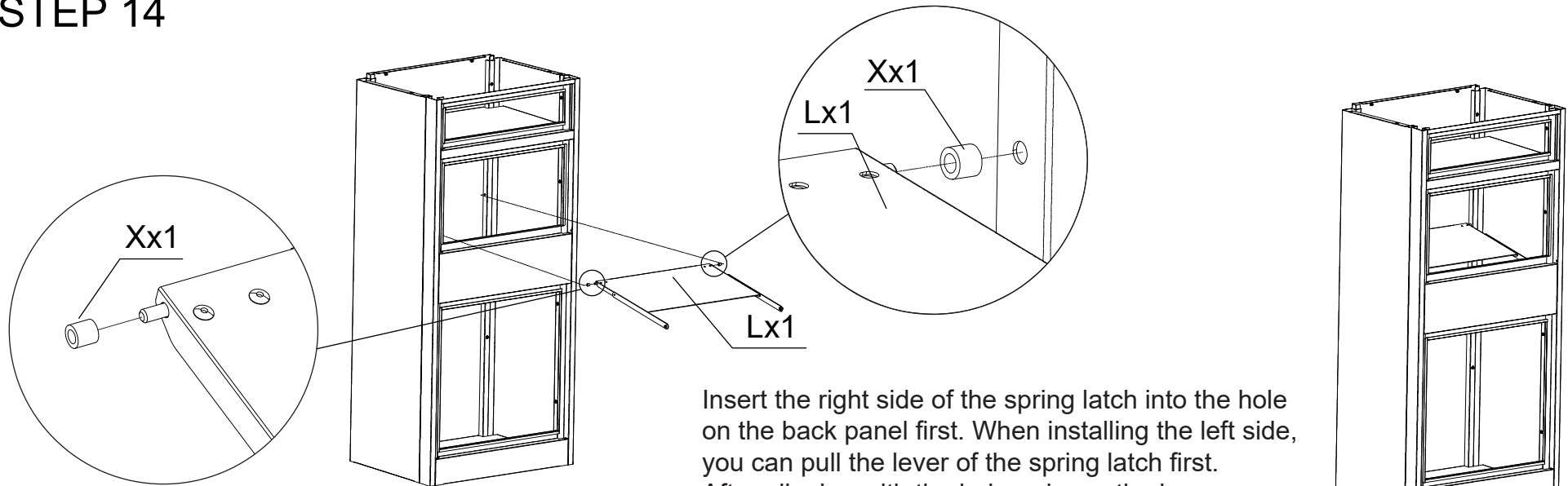
STEP 12



STEP 13

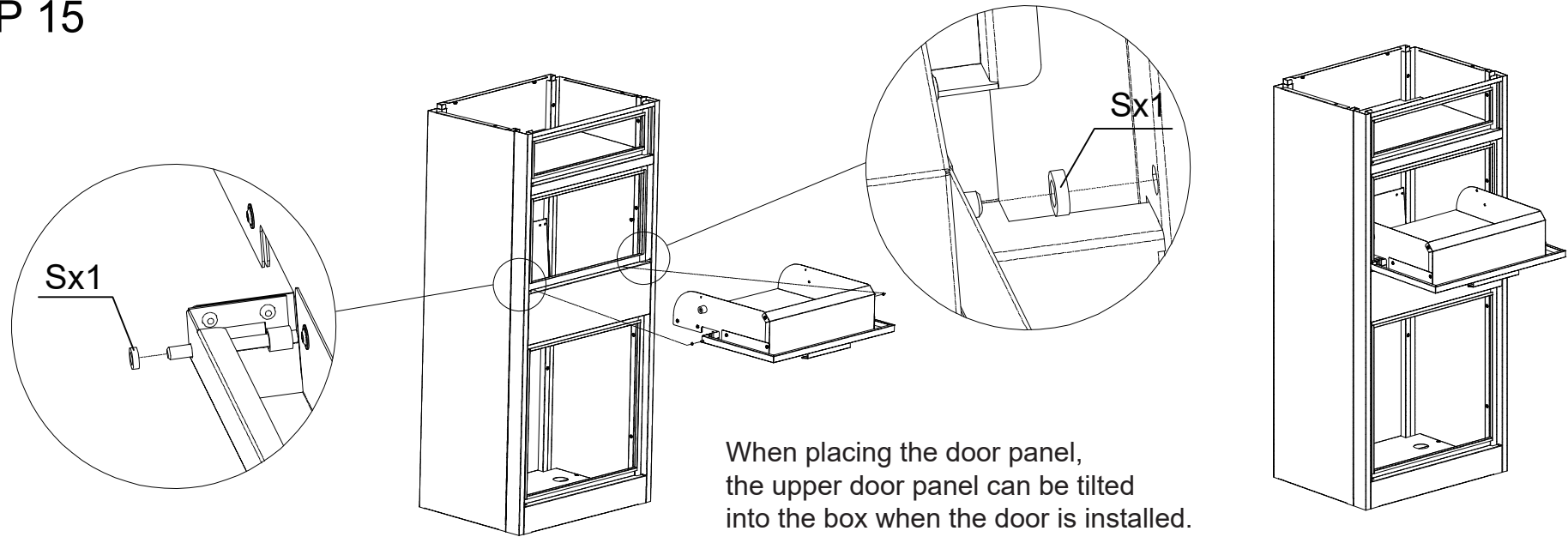


STEP 14



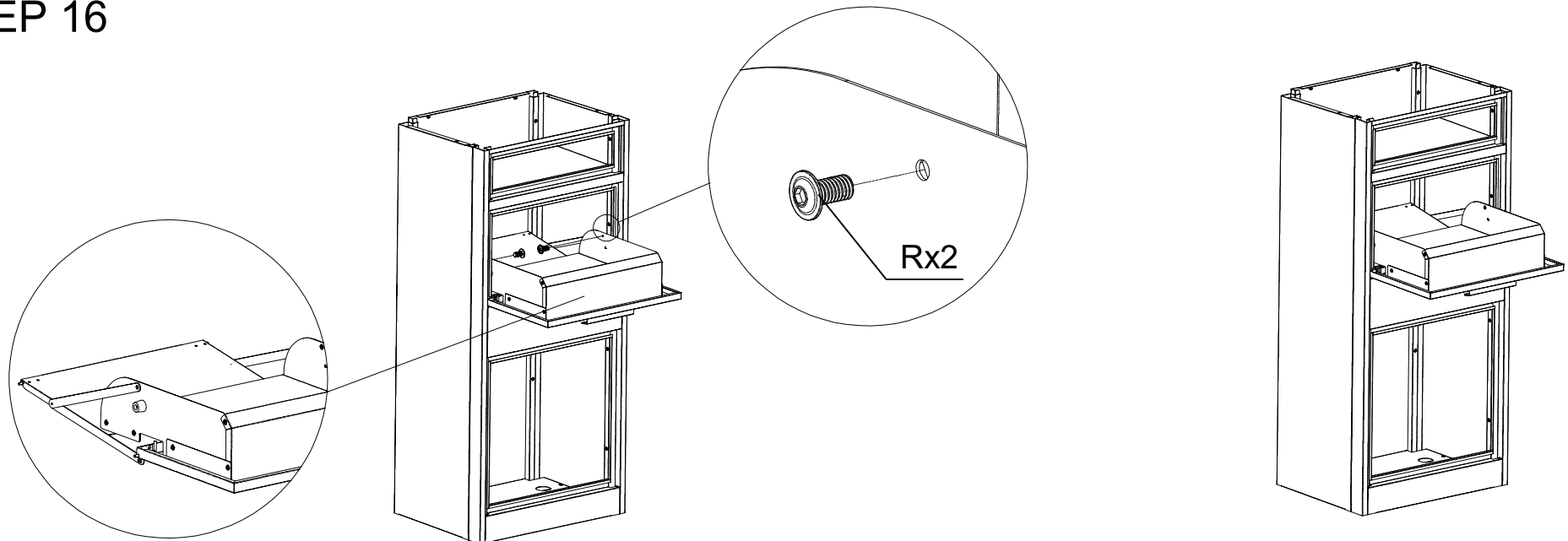
Insert the right side of the spring latch into the hole on the back panel first. When installing the left side, you can pull the lever of the spring latch first. After aligning with the hole, release the lever. Assembly is complete.

STEP 15

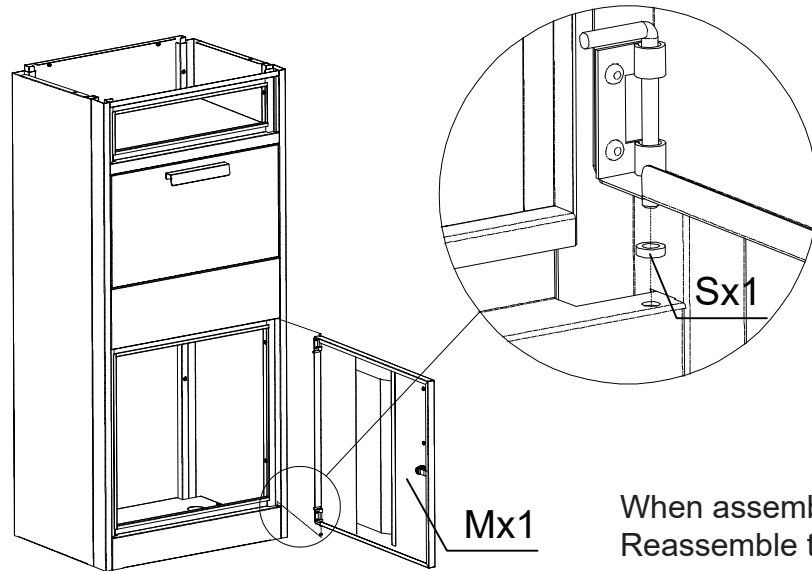


When placing the door panel, the upper door panel can be tilted into the box when the door is installed. Install the right side first, then the left side.

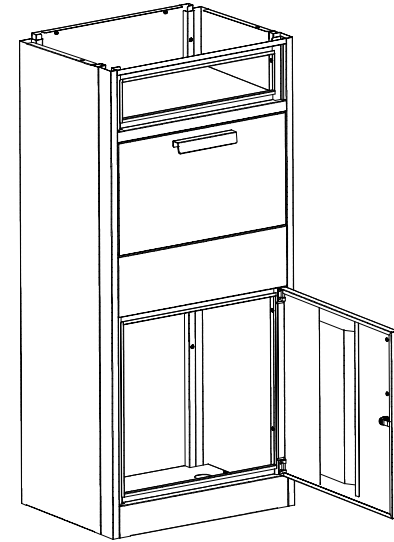
STEP 16



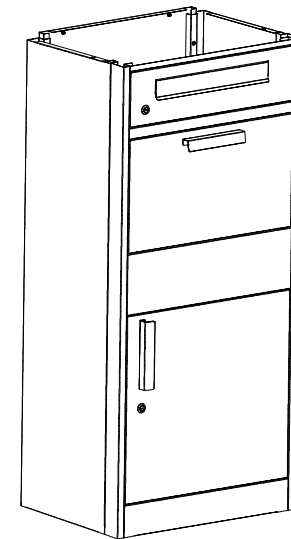
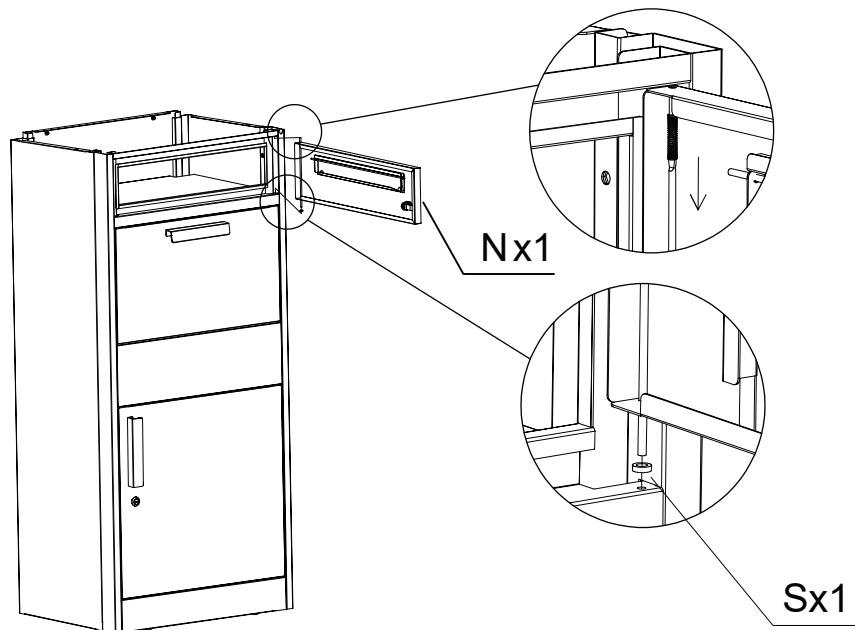
STEP 17



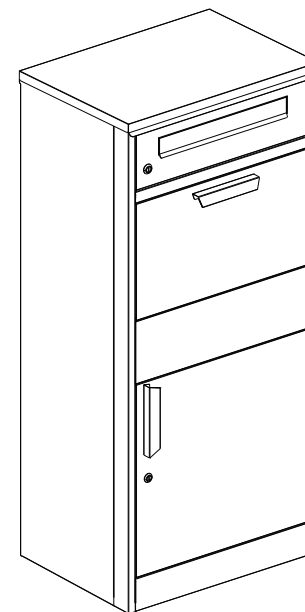
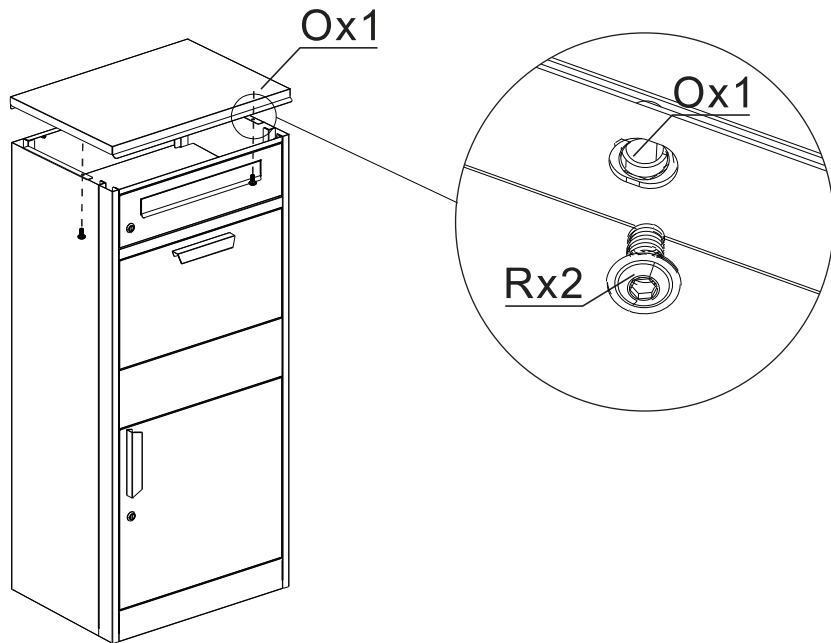
When assembling, assemble the lower side first.
Reassemble the top side.



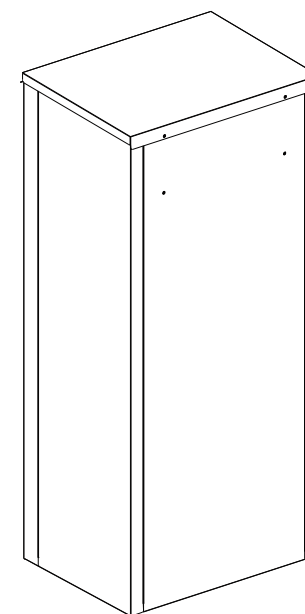
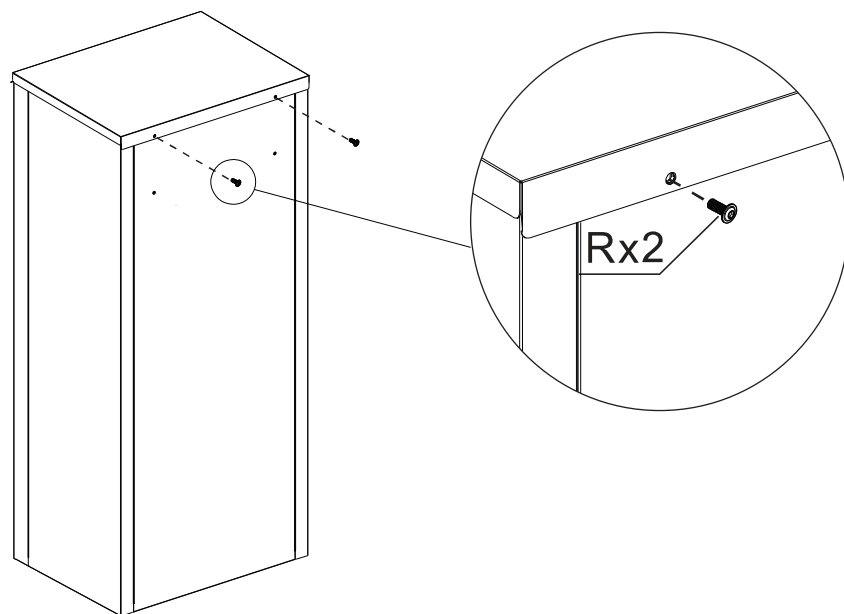
STEP 18



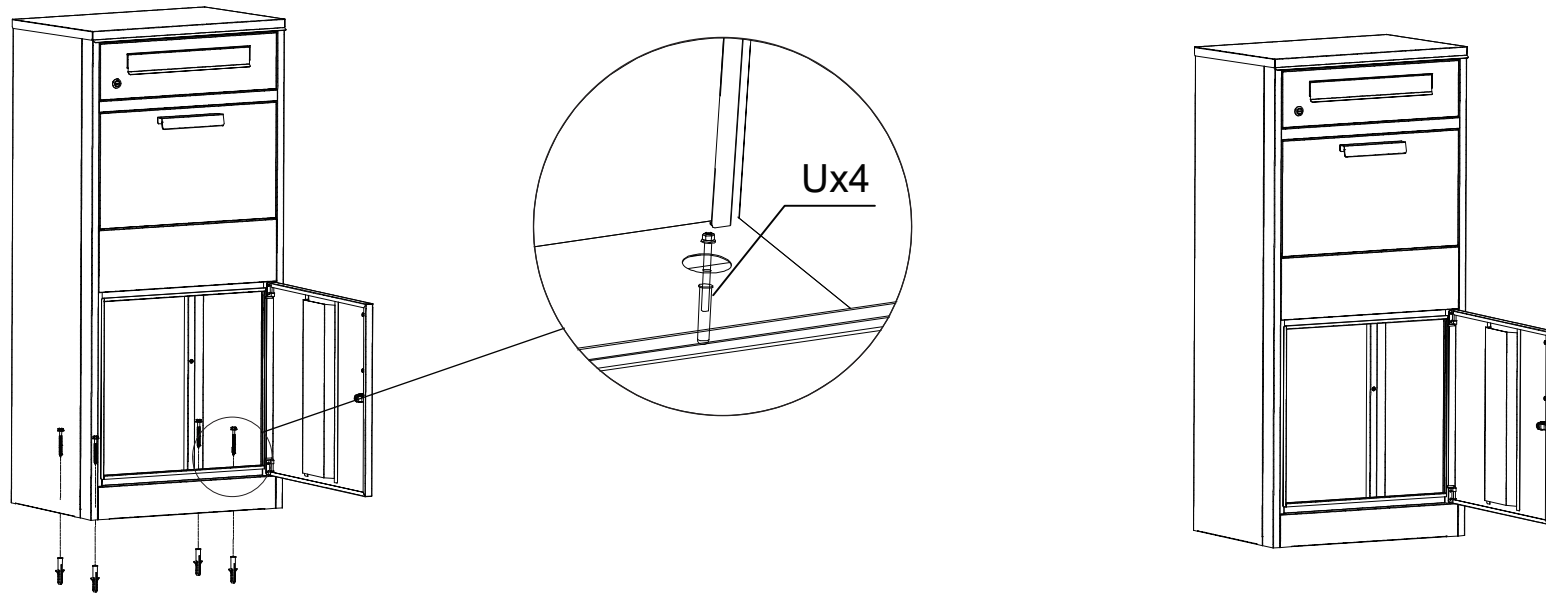
STEP 19



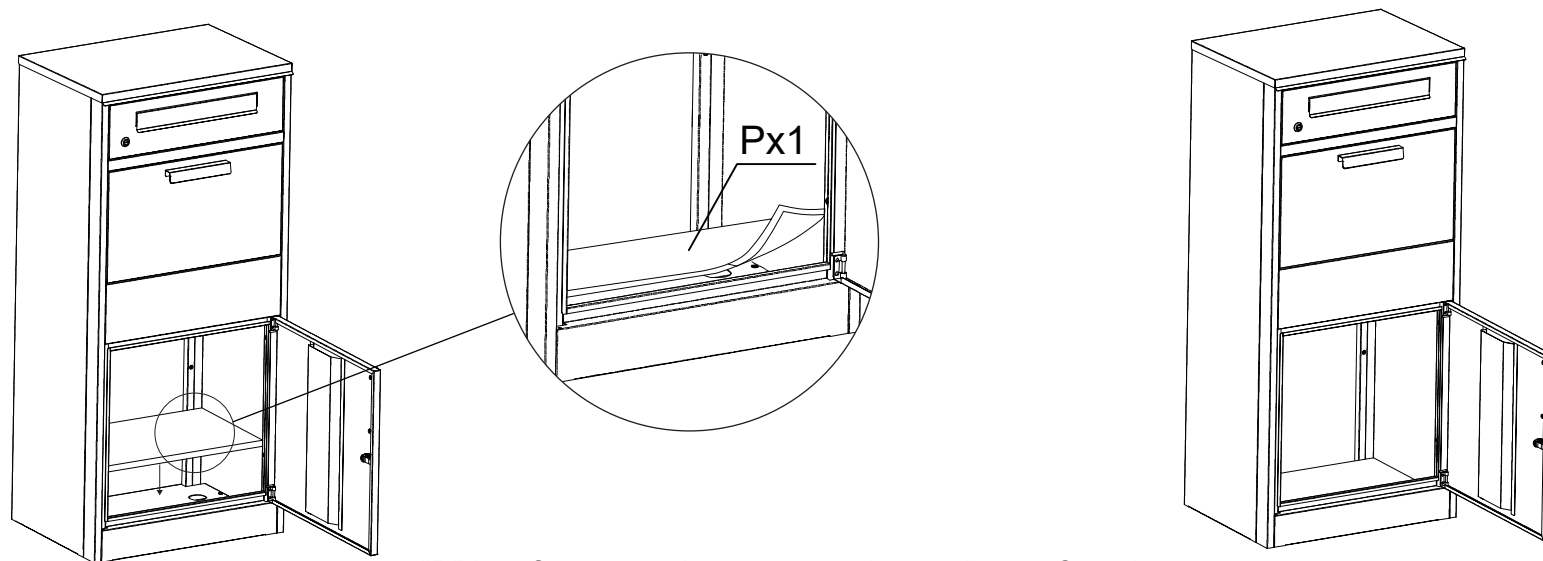
STEP 20



STEP 21



STEP 22



"P" is a foam mat that protects the packages from impact.