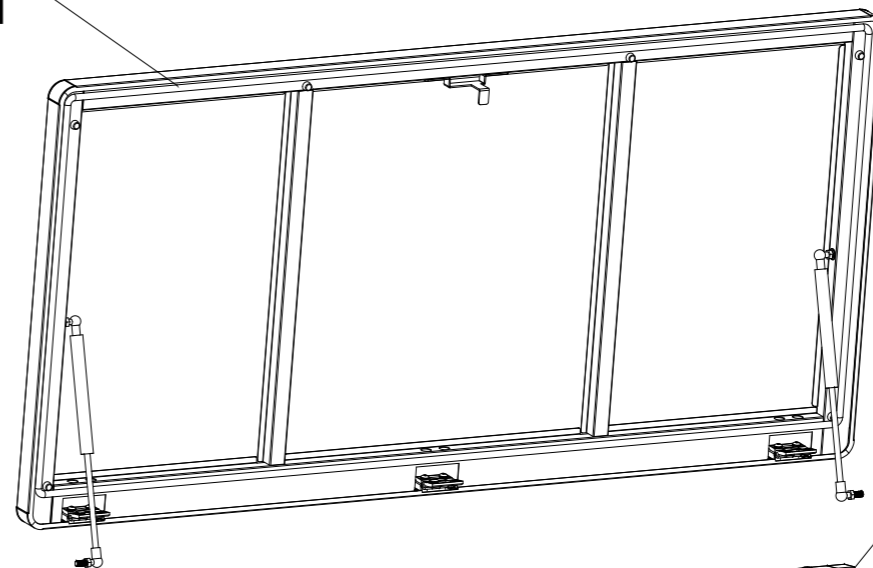


UMBAU MEISTER



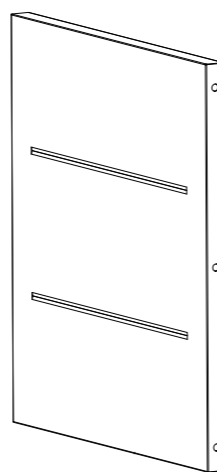
B

F



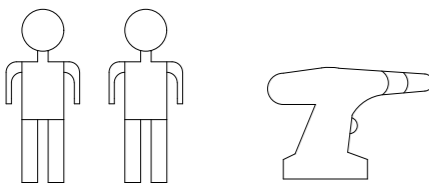
D

C



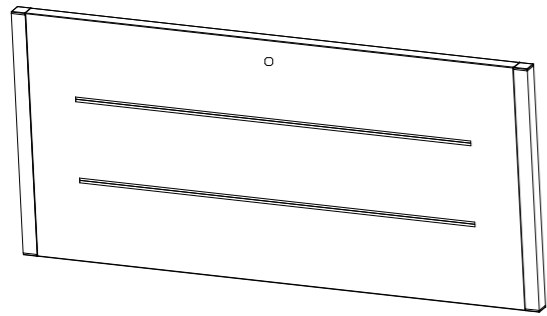
E

A

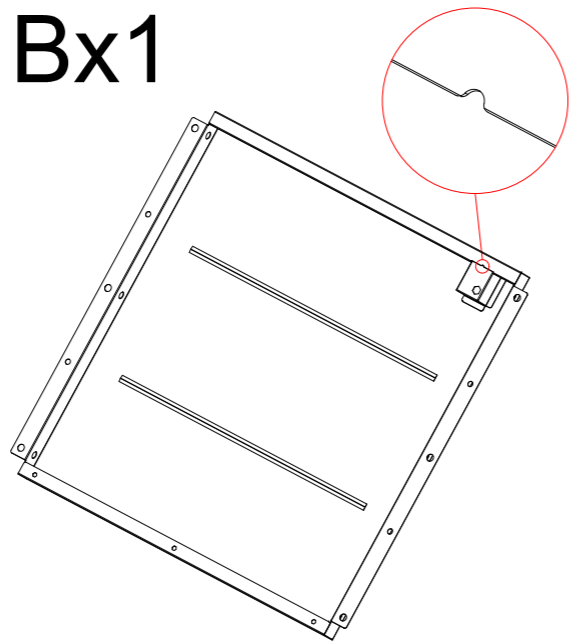


60Min

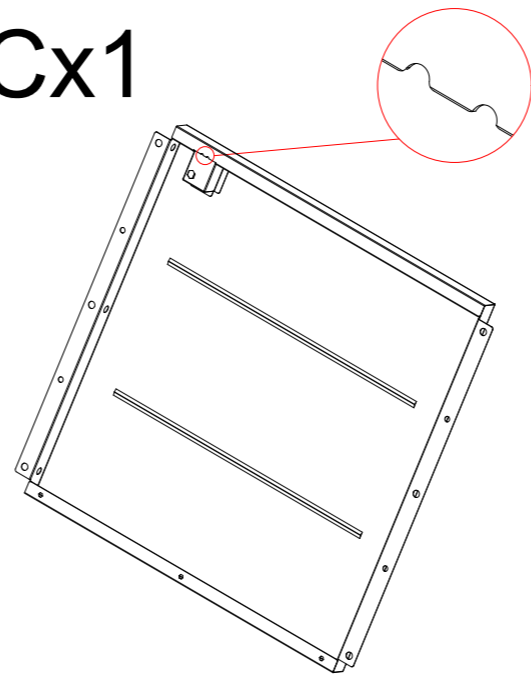
Ax1



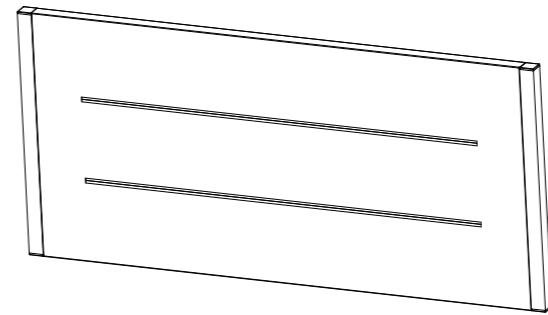
Bx1



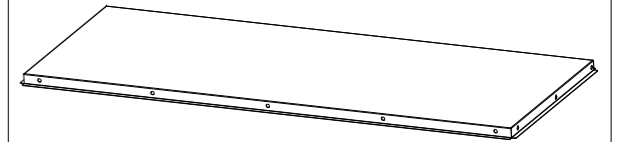
Cx1



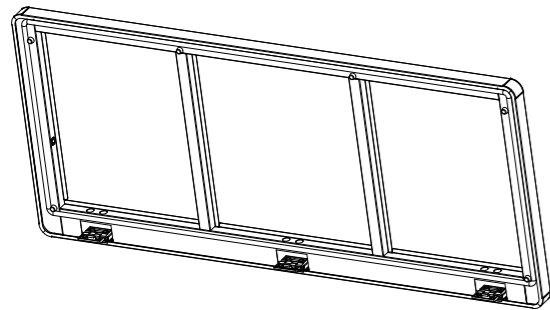
Dx1



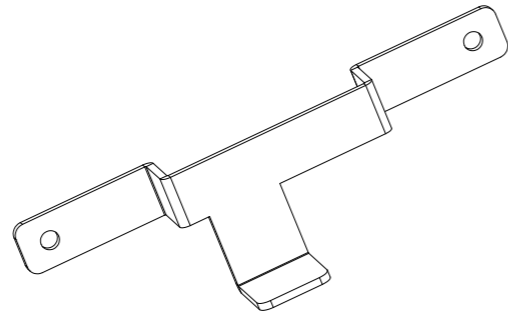
Ex1



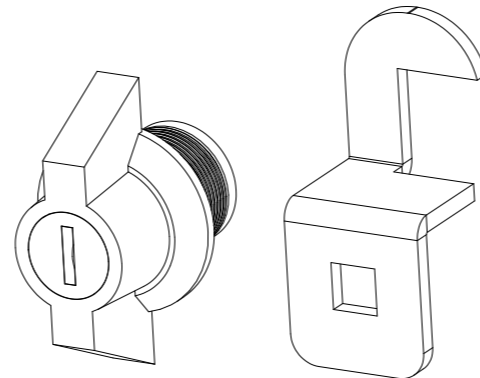
Fx1



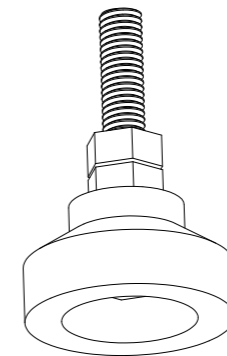
Gx1



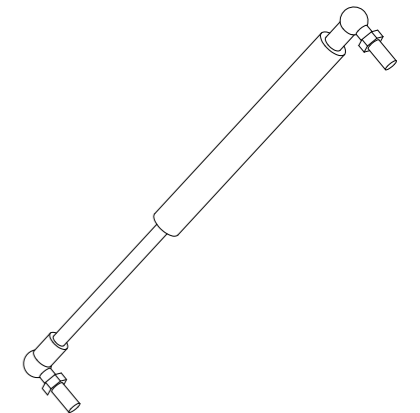
Hx1



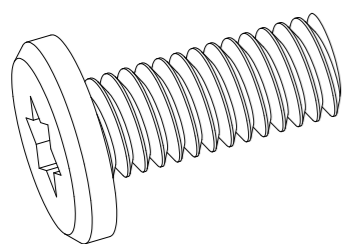
Ix4



Jx2

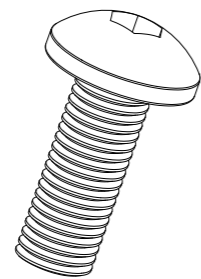


Kx42



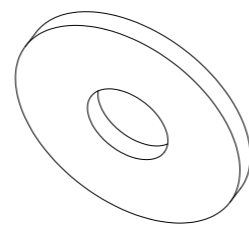
M4x10mm

Lx6



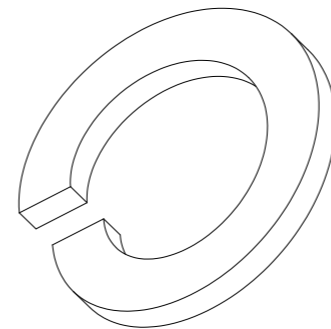
M6x16mm

Mx42

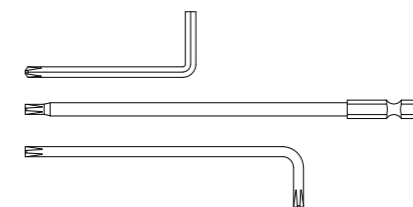


Ø4xØ12x1mm

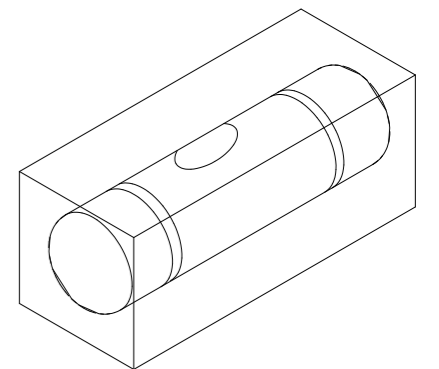
Nx4



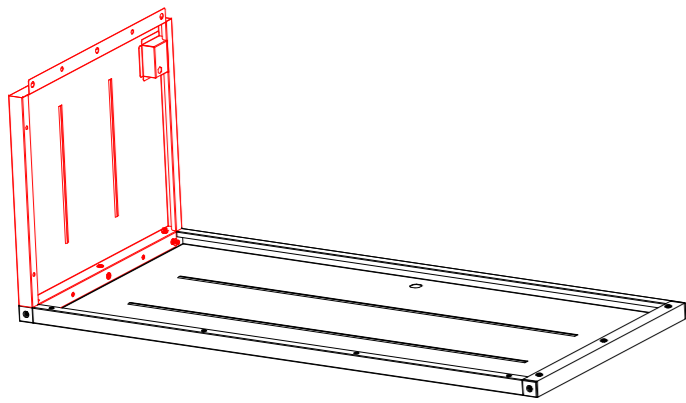
Ox1



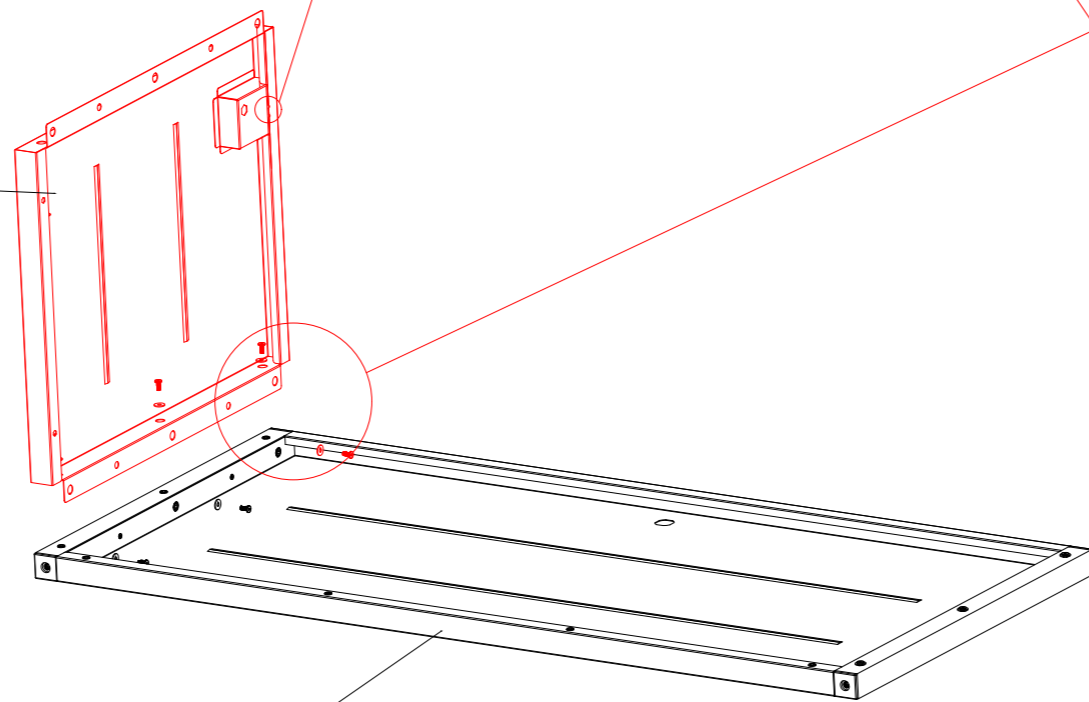
Px1



STEP 1

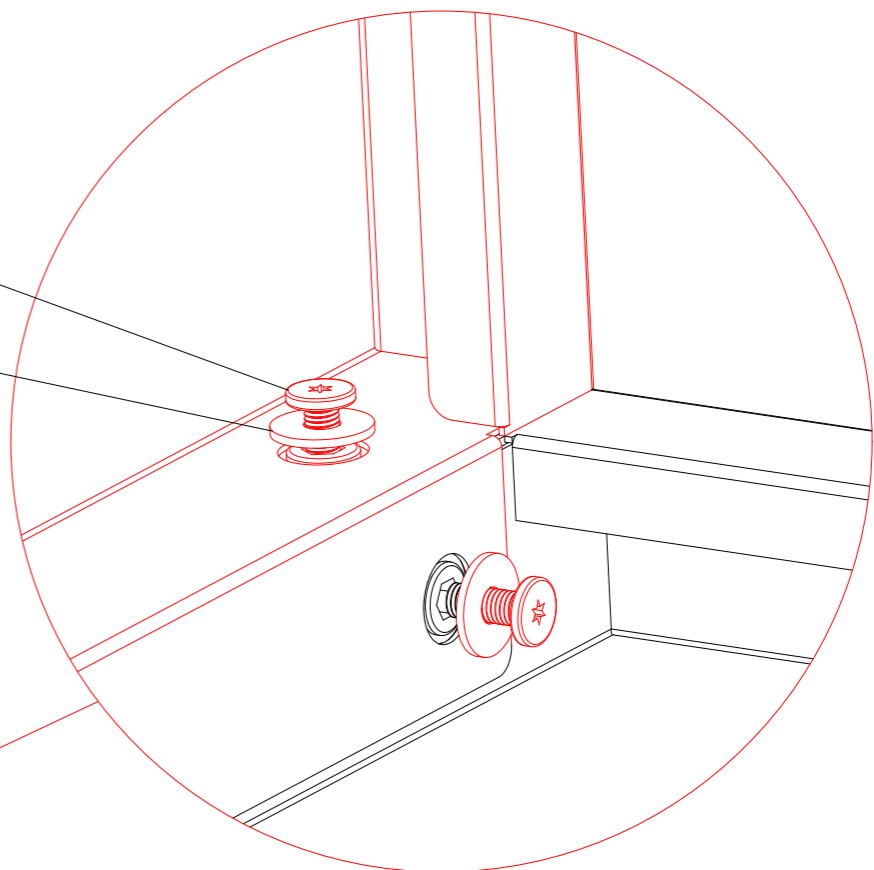


C

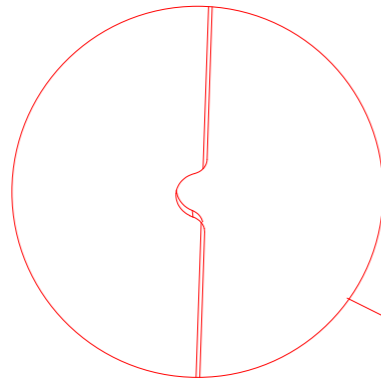
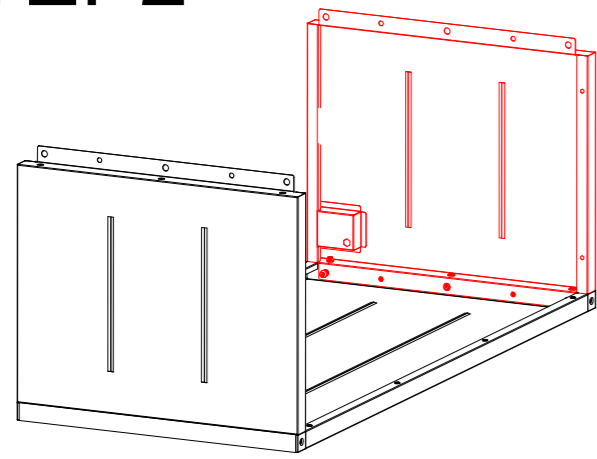


A

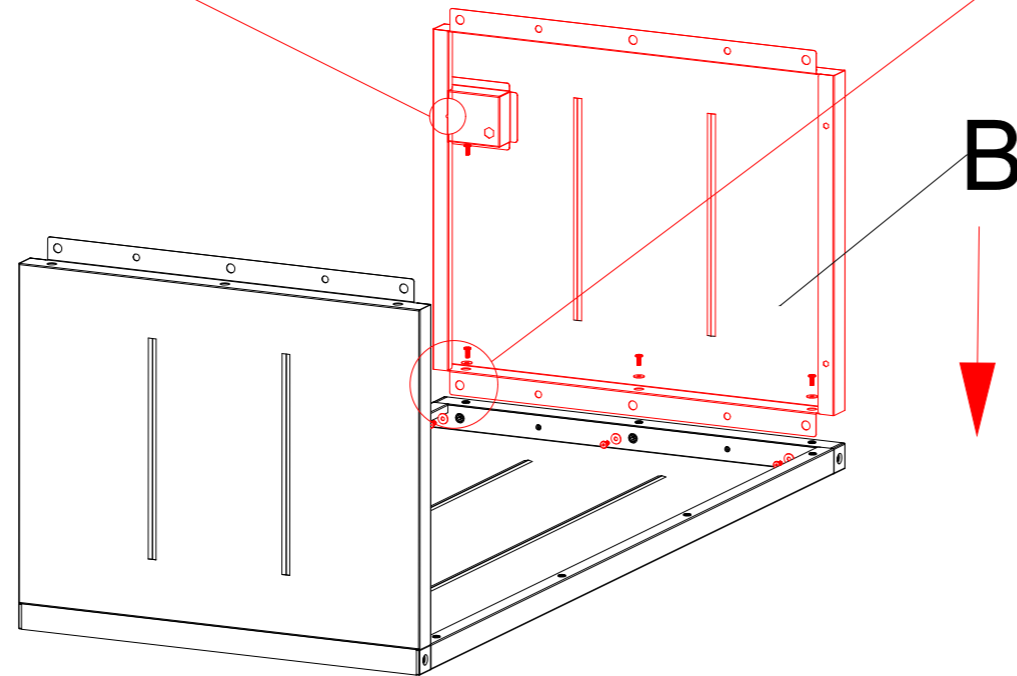
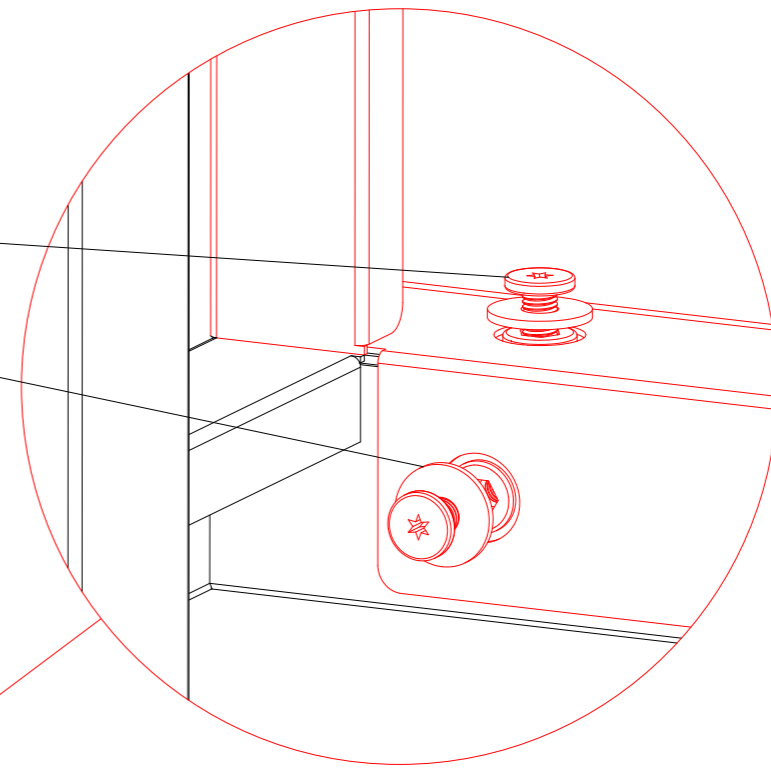
Kx6
Mx6



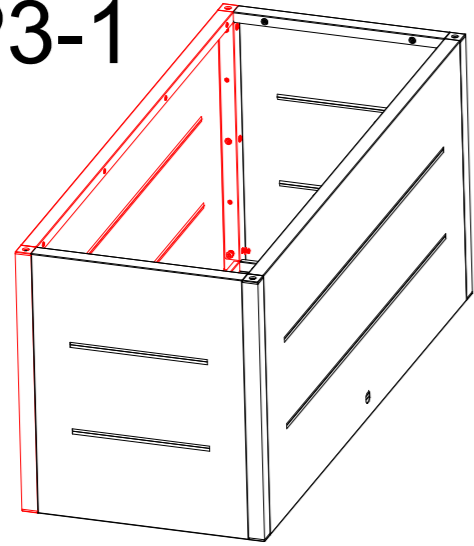
STEP 2



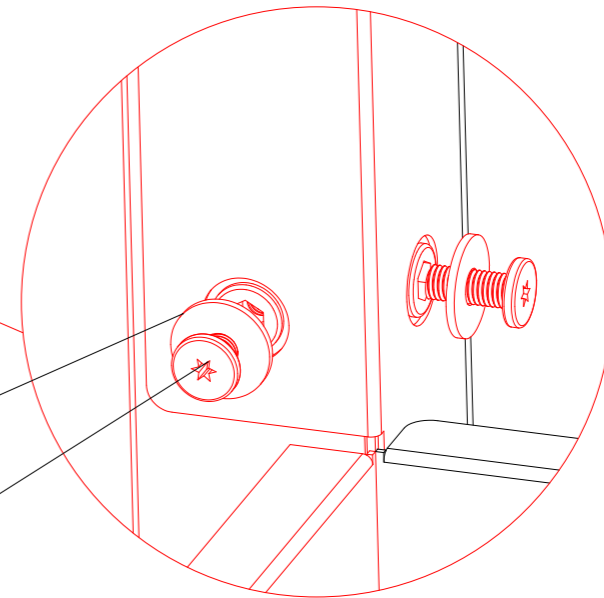
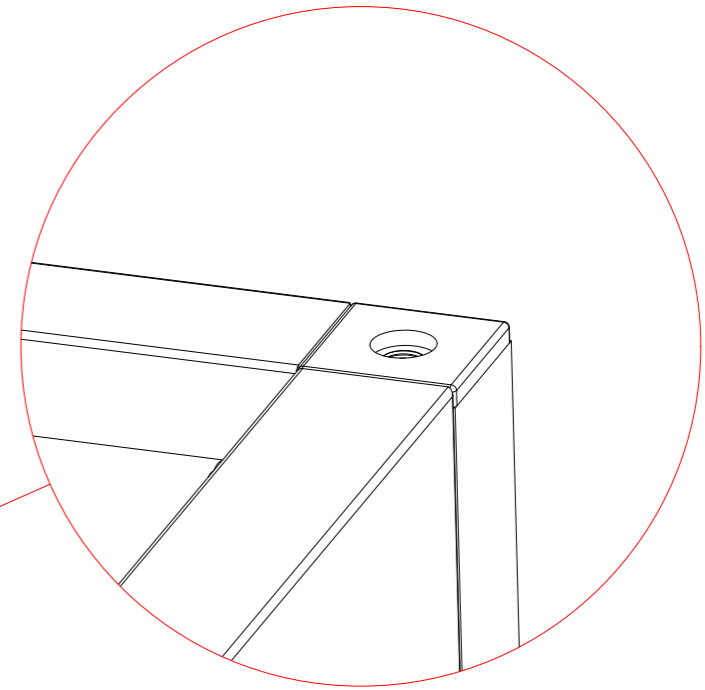
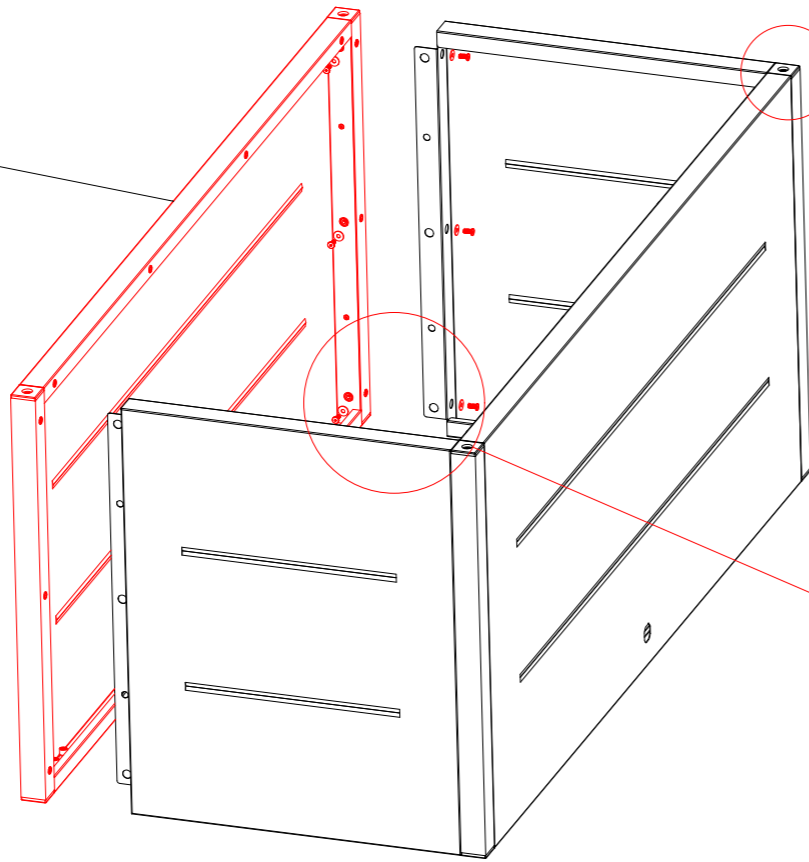
Kx6
Mx6



STEP3-1



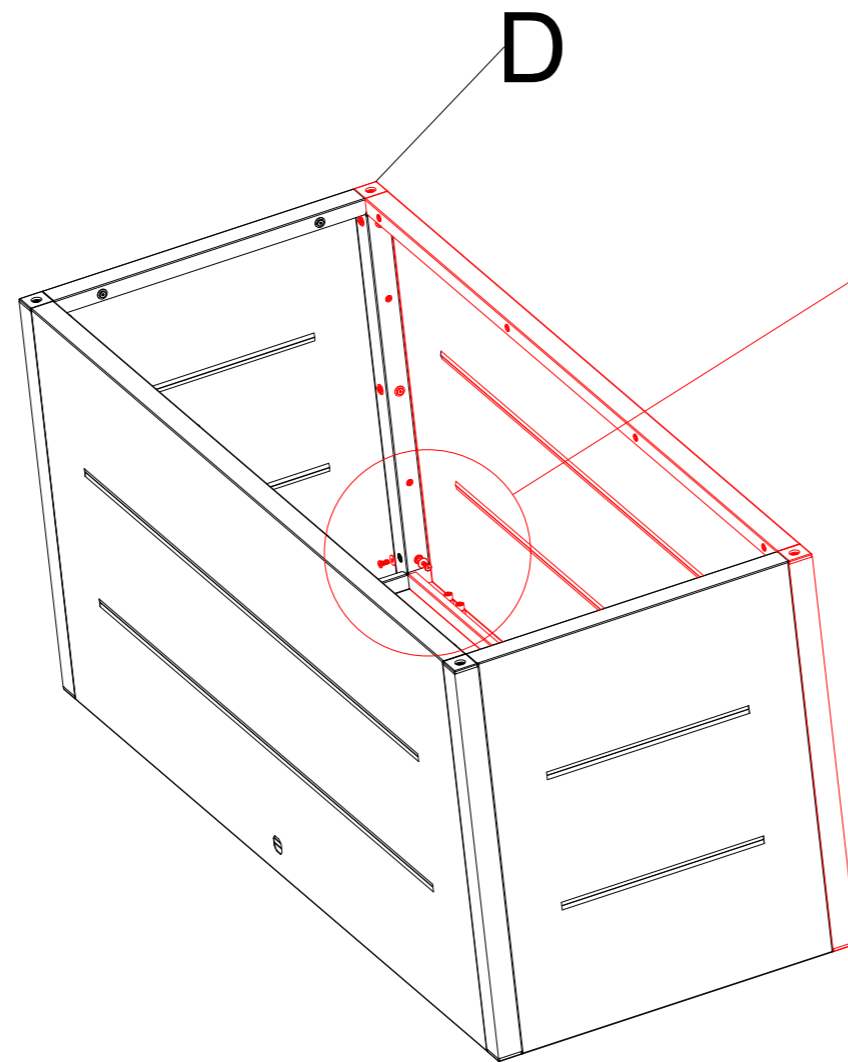
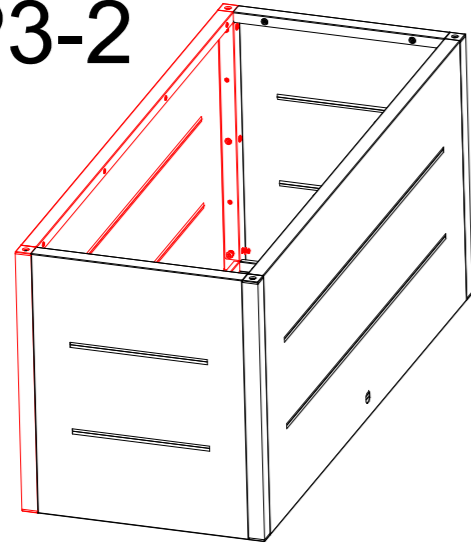
D



Mx6

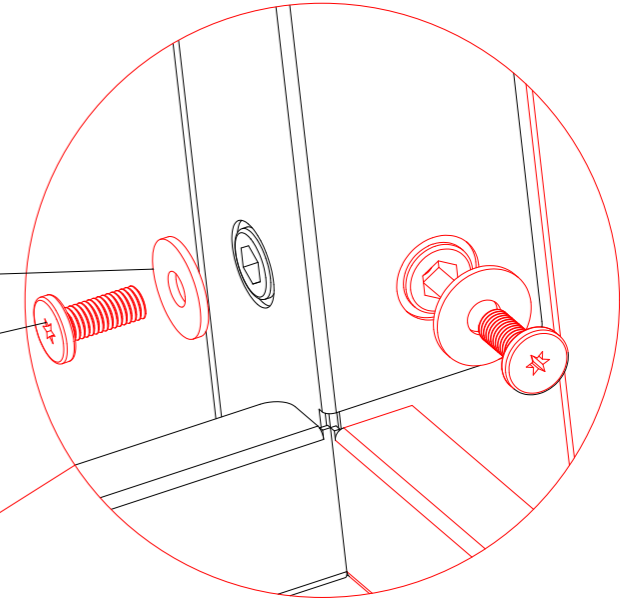
Kx6

STEP3-2

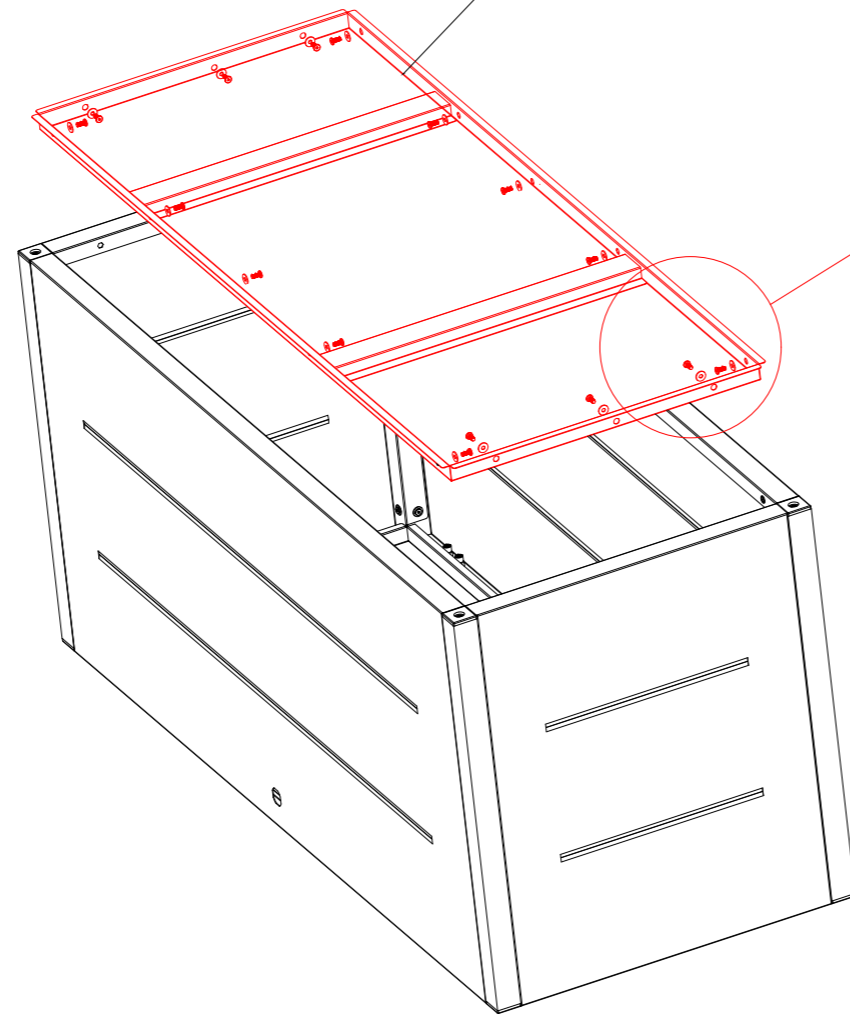
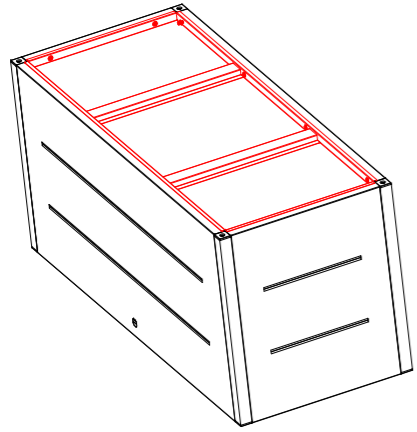


Mx6

Kx6



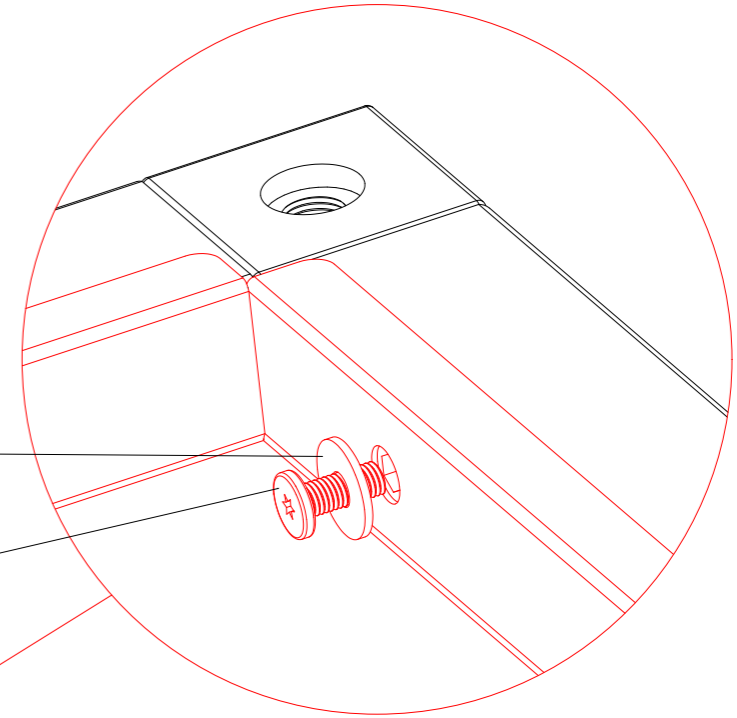
STEP4



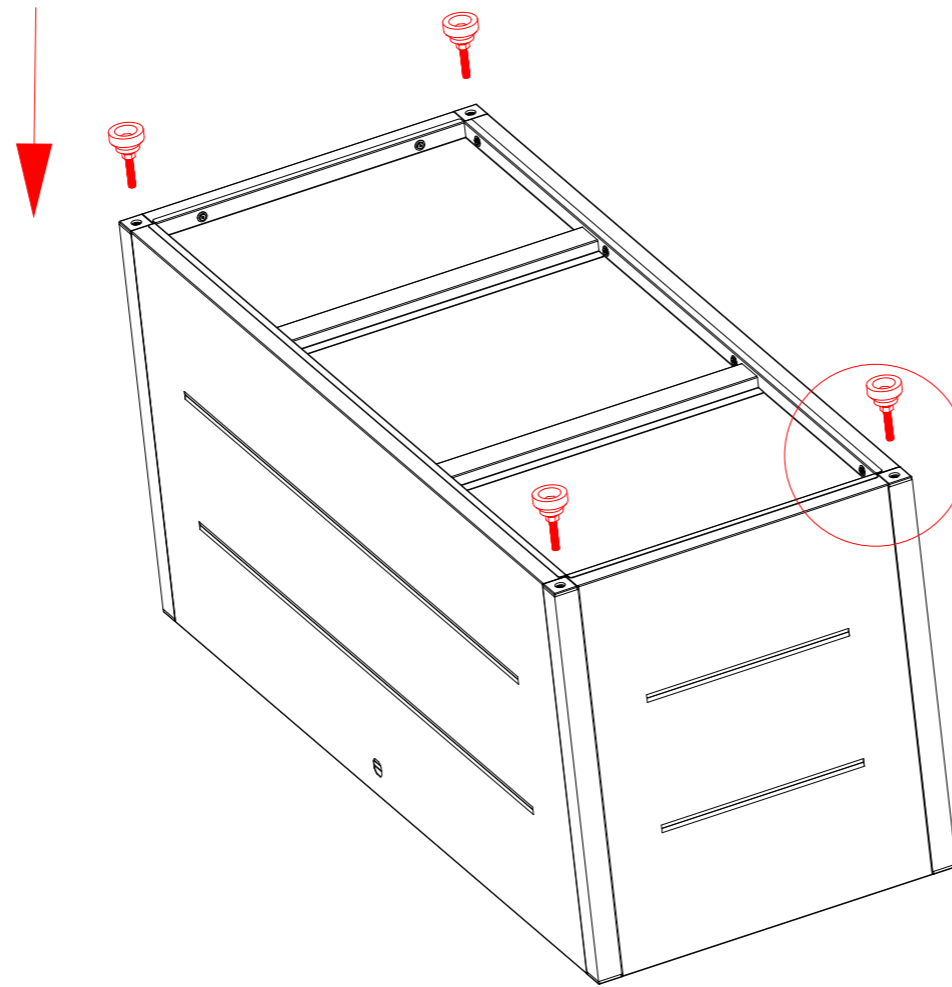
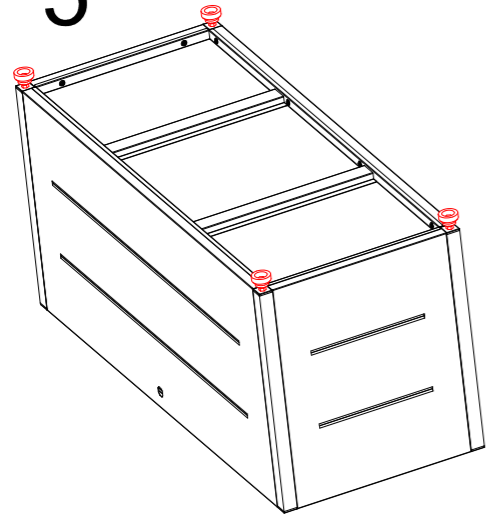
E

Mx16

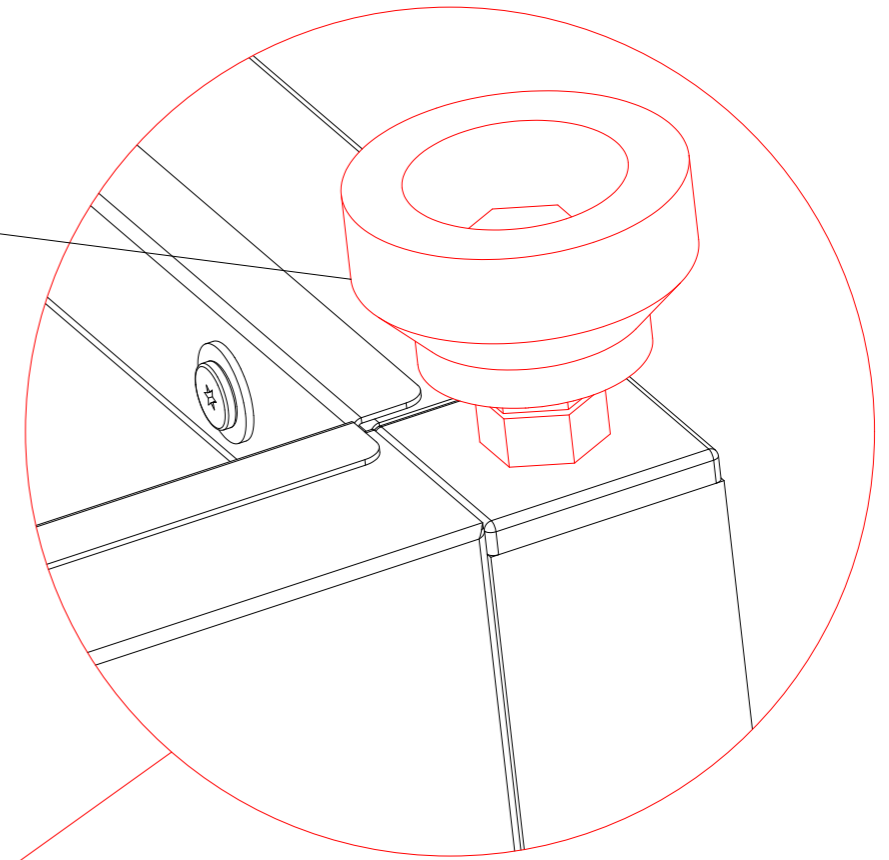
Kx16



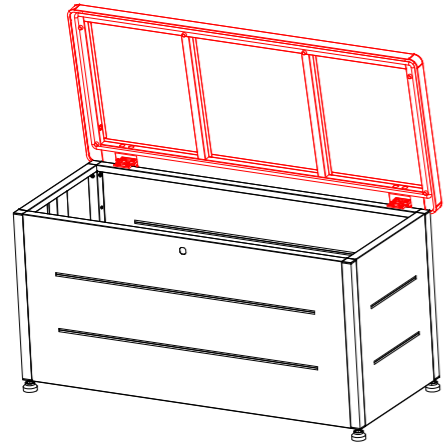
STEP 5



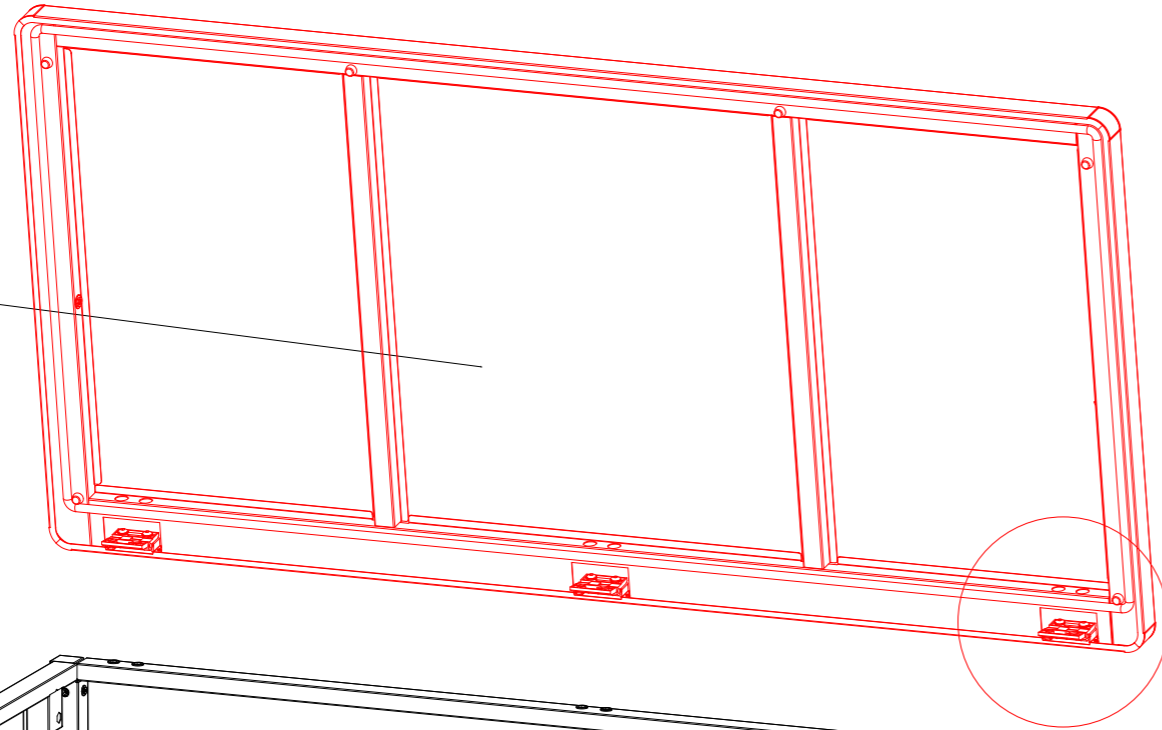
1x4



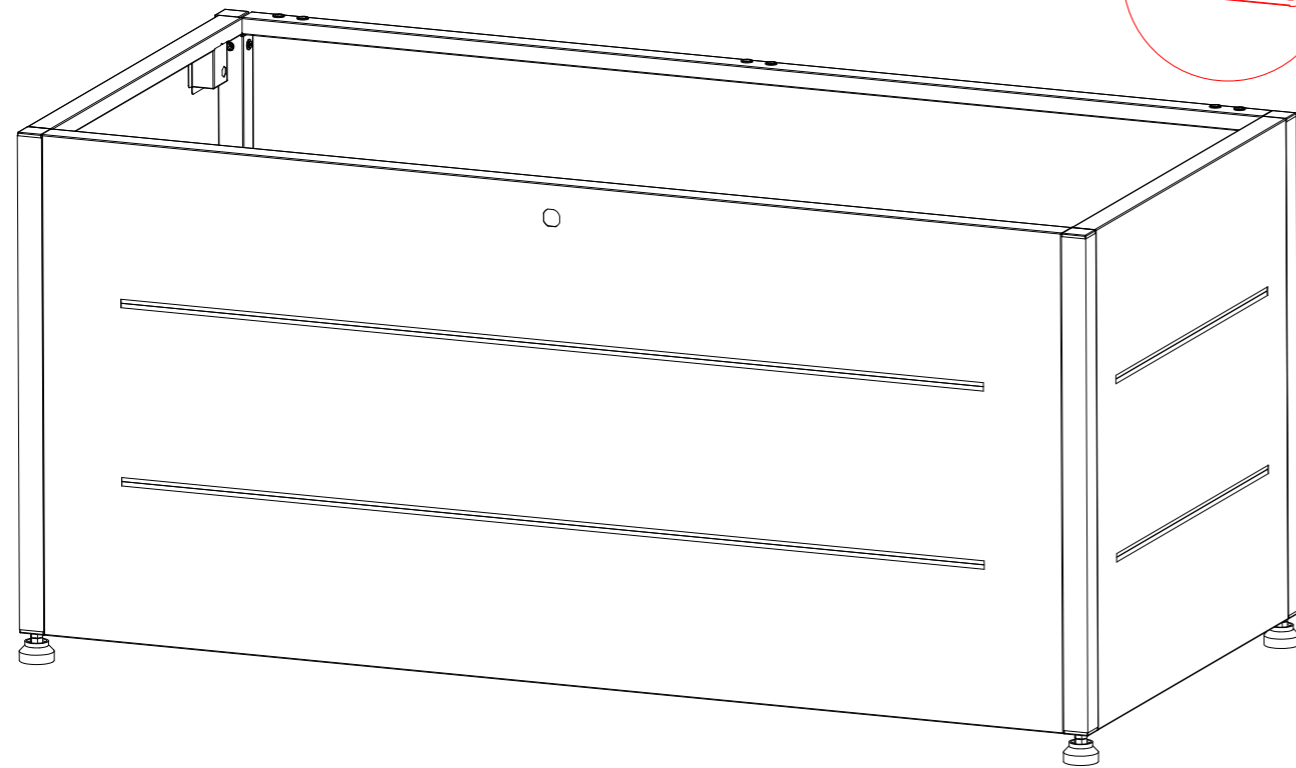
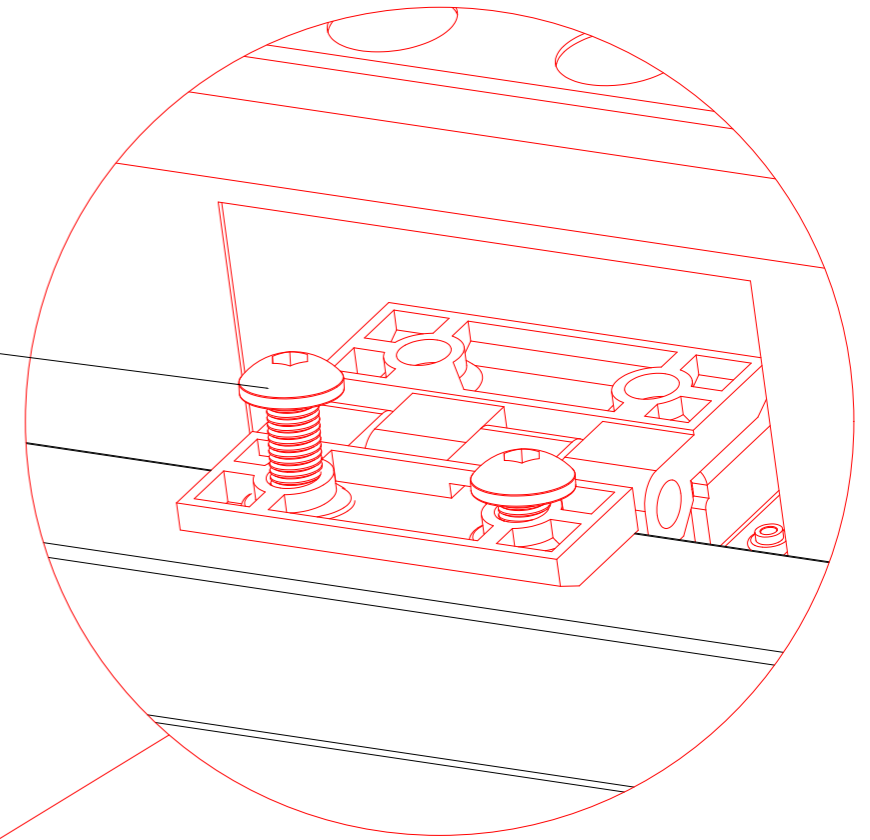
STEP 6



F

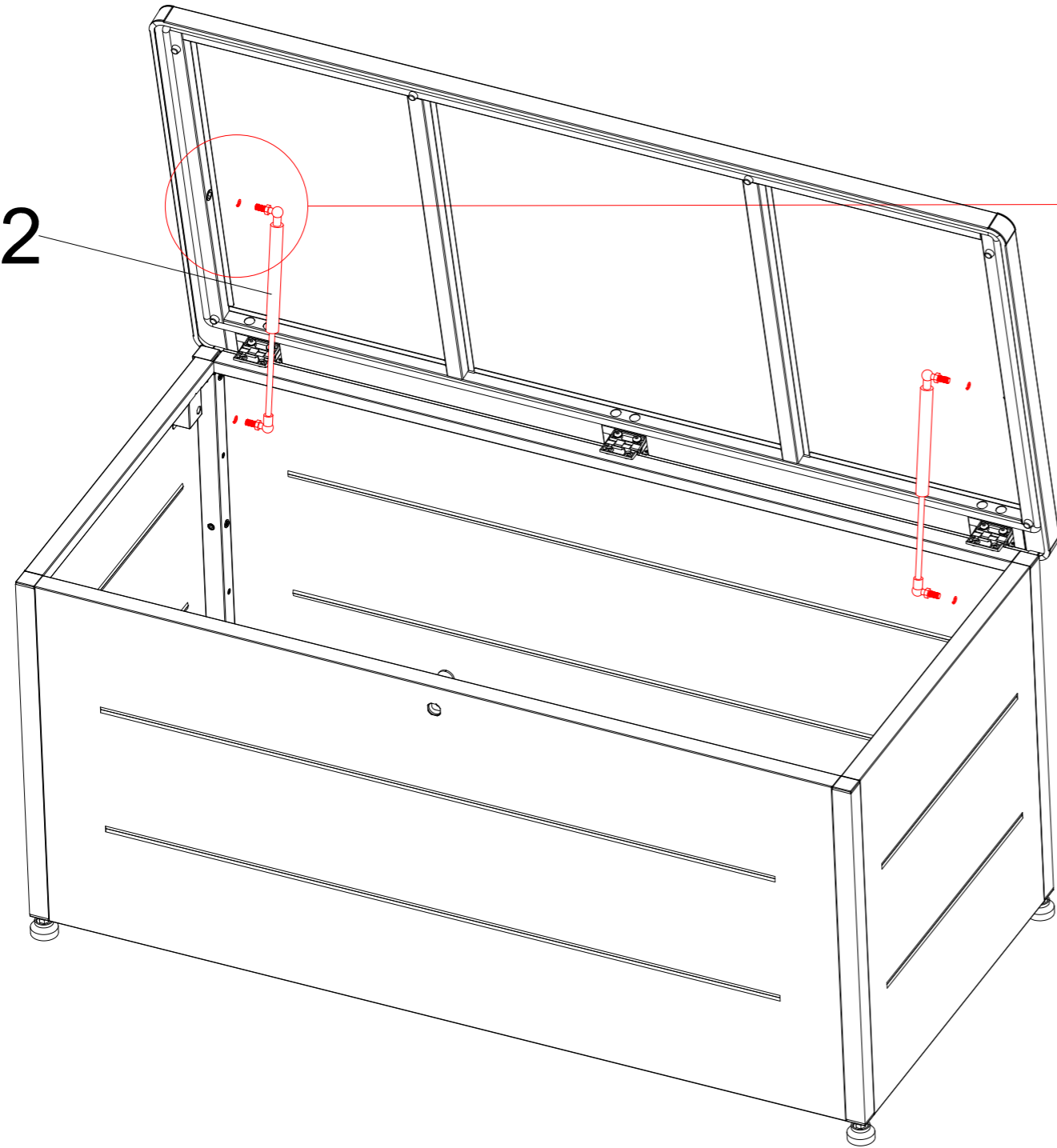


Lx6

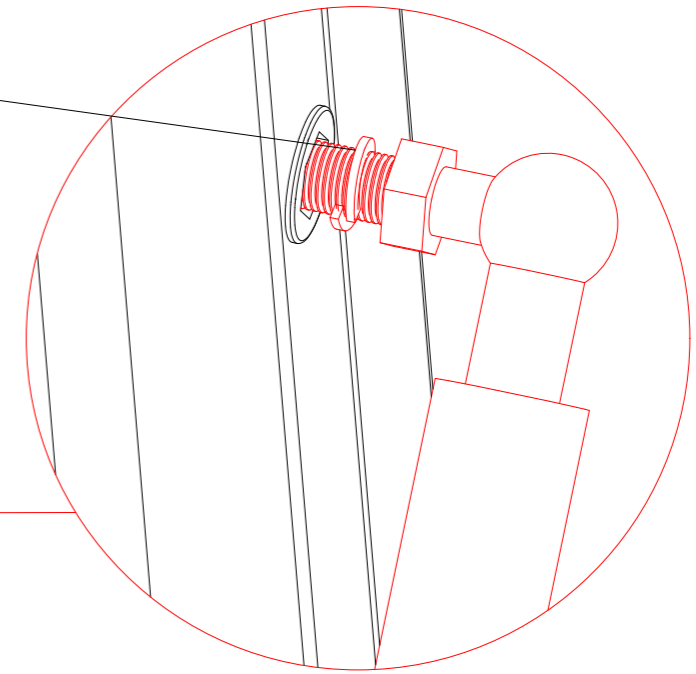


STEP 7

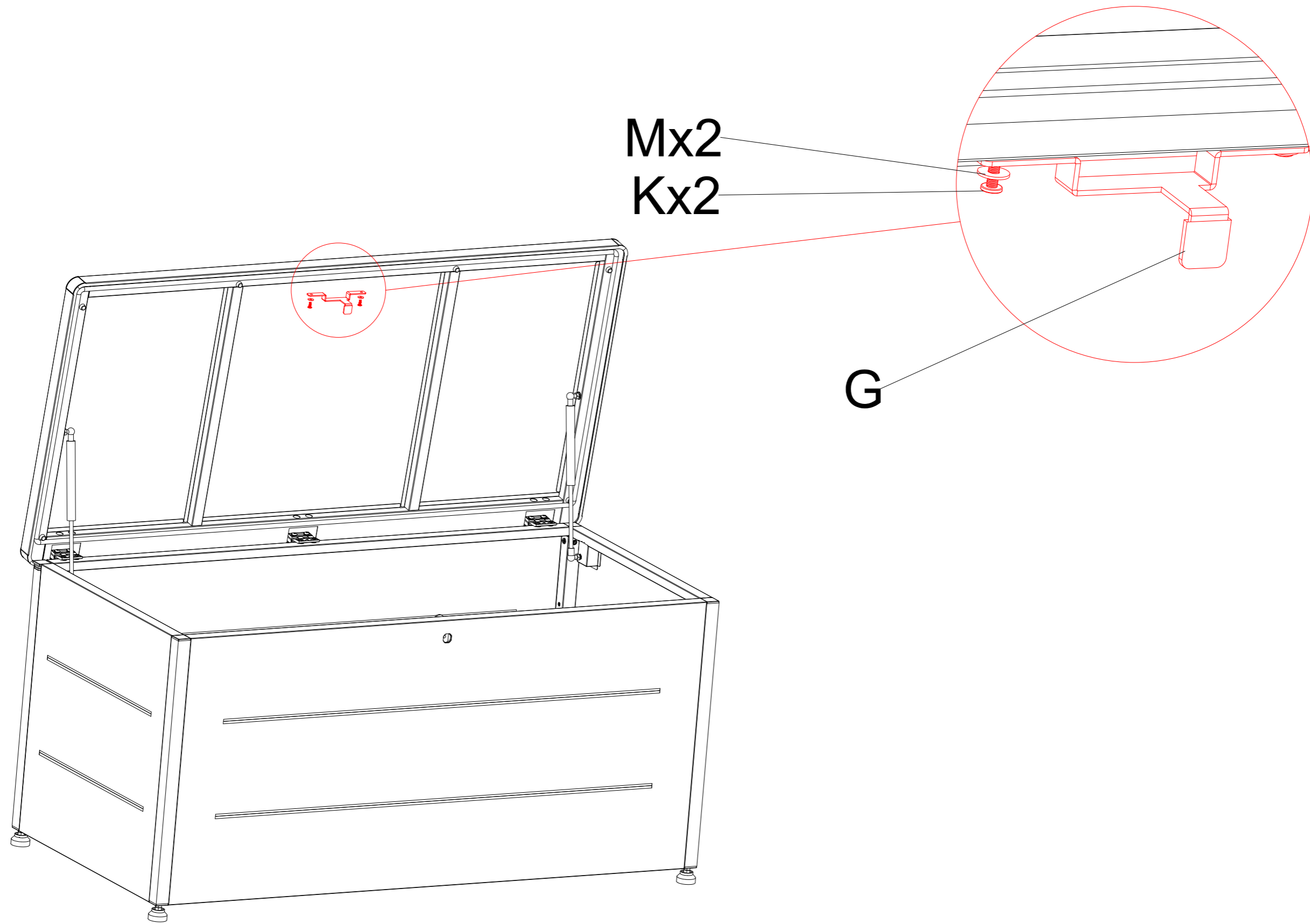
Jx2



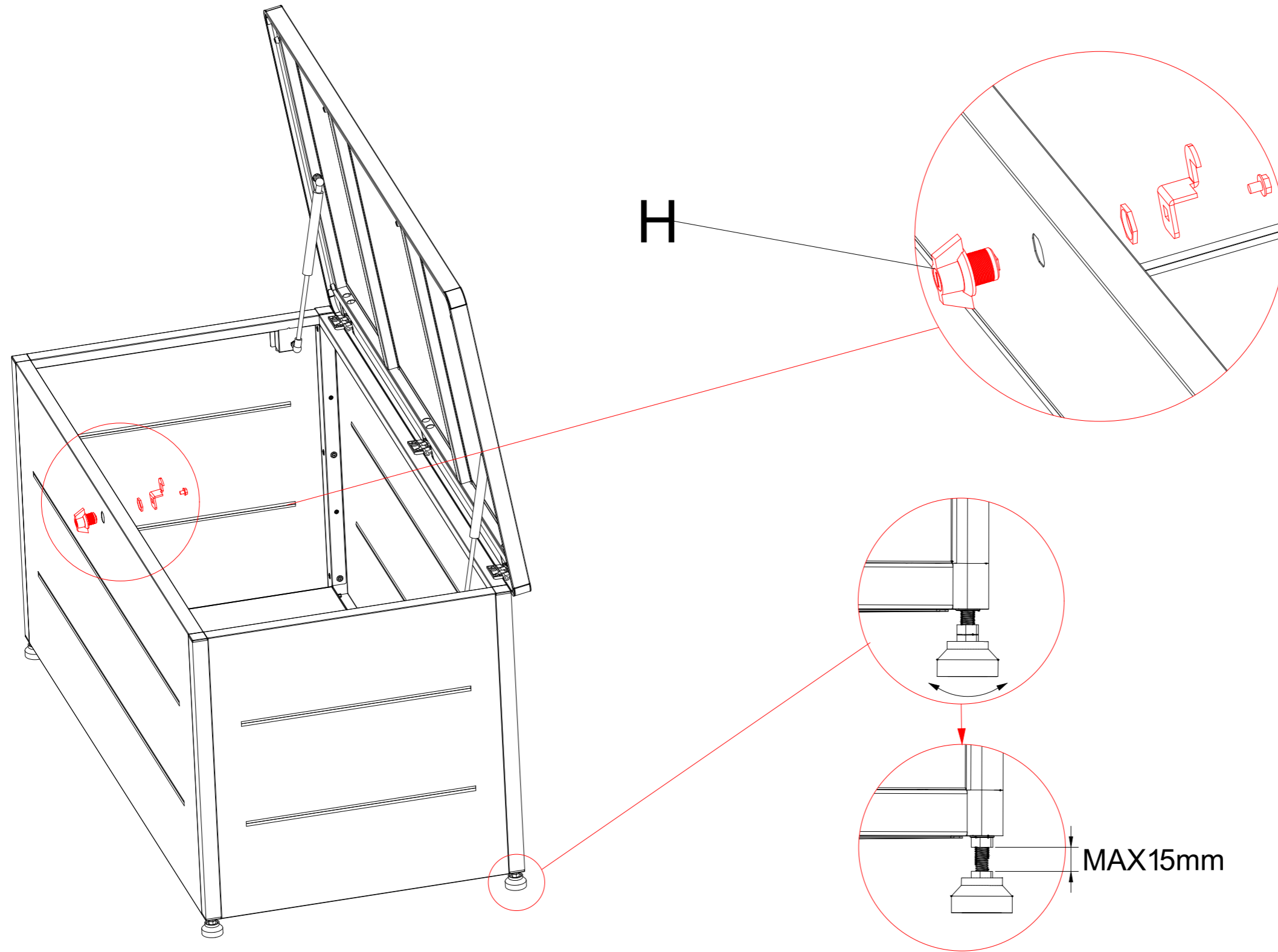
Nx4



STEP 8



STEP9



After installing the handle, adjust the adjustable feet and use a spirit level to ensure that the box is level.